

Всички видове ключалки на едно място от КСХ Хаджидимитров ЕООД

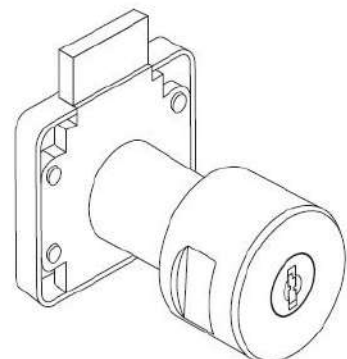
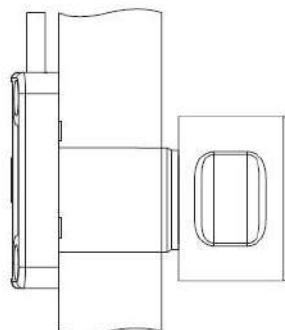
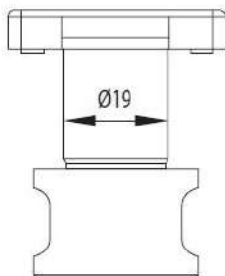
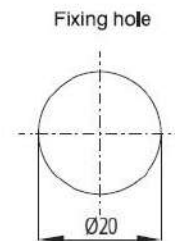
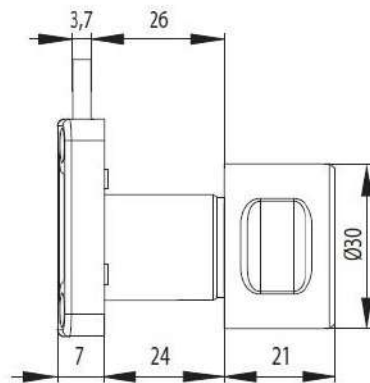
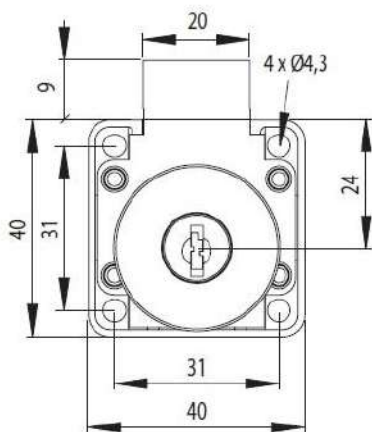


и грузи

RIM LOCK NO.850

Rim Lock MIC850, $\varnothing 19 \times 22 \text{mm}$, CPL,
W/Turning Knob & CK:SISO,#J11

14.00.105-0	13,87 лв
-------------	----------



RIM LOCK NO.850

Application:

Drawers, wardrobes and cabinets

Accessories for one set:

- 1 lock
- 1 rosette
- 2 SISO car keys

Specification:

Zamak lock body & cylinder
Steel rosette & keys
Cylinder diam. 19 or 16,5 mm
Cylinder lengths:
18, 22, 26, 32 & 38 mm
400 key combinations or key alike
Drawer, left or right hand versions
Master key & Interchangeable
system available on request



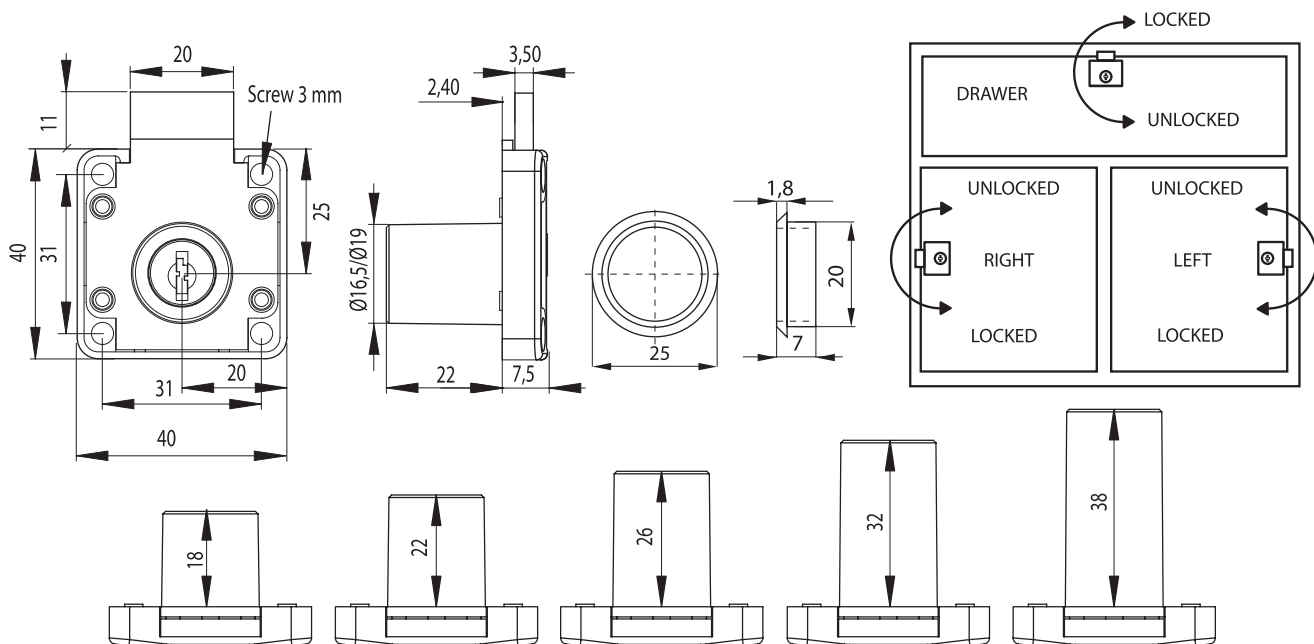
400 KD



RIGHT HAND

основната ключалка има следните разновидности:

Код ключалка	система	покритие, тяло	цена с ДДС
14.01.052-2, с	различен ключ	никел, 22 мм	6,28 лв
14.01.020-0, с	Мастър ключ	никел, 22 мм	8,71 лв
14.01.065-0, с	еднакъв ключ	никел, ф22	6,05 лв
14.01.048-0, с	различен ключ	алуминий, 22 мм	9,07 лв
14.01.059-0, с	различен ключ	жълта (месинг), 22 мм	9,74 лв
14.01.092-0, с	различен ключ	бронз, 22 мм	10,26 лв
14.01.085-0, с	различен ключ	никел удължено 38 мм	9,54 лв
14.01.088-0, с	еднакъв ключ	никел удължено 38 мм	7,84 лв
14.01.067-0, с	различен ключ	черно, 22 мм	8,86 лв
14.01.029-7, с	Мастър ключ	никел, ф19	8,71 лв



Application:

Drawers, wardrobes and cabinets

Accessories for one set:

- 1 lock
- 1 rosette
- 2 SISO snake car keys

Specification:

Zamak lock body & cylinder, NPL
Steel rosette & brass keys
Cylinder size \varnothing 19 x 22 mm
1000 key combinations or key alike
W/master key & interchangeable system (MIC)
Drawer, left or right hand versions

Finish:

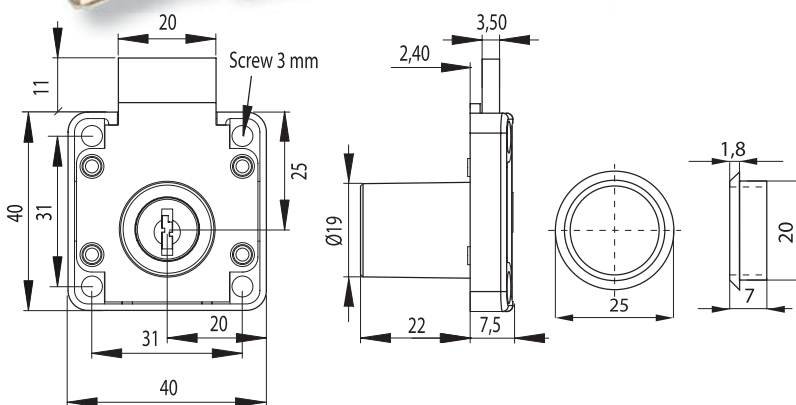
Nickel plated
Other finishes on request

Packing:

25 pcs per box
250 pcs per export carton



**1000 KD
EXTRA STRONG KEYS**



14.00.221-0	10,37 лв
-------------	----------

RIM LOCK NO. 850 W/TUBULAR KEYS

Application:

For drawers, wardrobes & cabinets

Accessories for one set:

- 1 lock w/cylinder \varnothing 19 x 22 mm
- 1 rosette
- 2 SISO tubular car keys

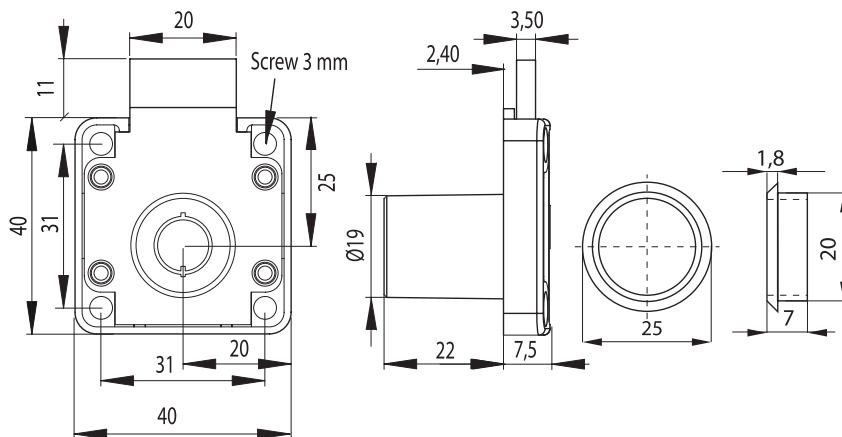
Specifications:

Lock body & cylinder made of zamak
Innercore made of brass material
Rosette & keys made of steel
Drawer. Left & right available on request

2000 key combinations



**2000 KD
EXTRA STRONG KEYS**



14.00.100-1		12,18 лв
14.00.101-0	отв, остава	14,58 лв

Application:

Drawers, wardrobes and cabinets

Accessories for one set:

- 1 lock
- 1 rosette
- 2 SISO car keys

Adjustable backset:

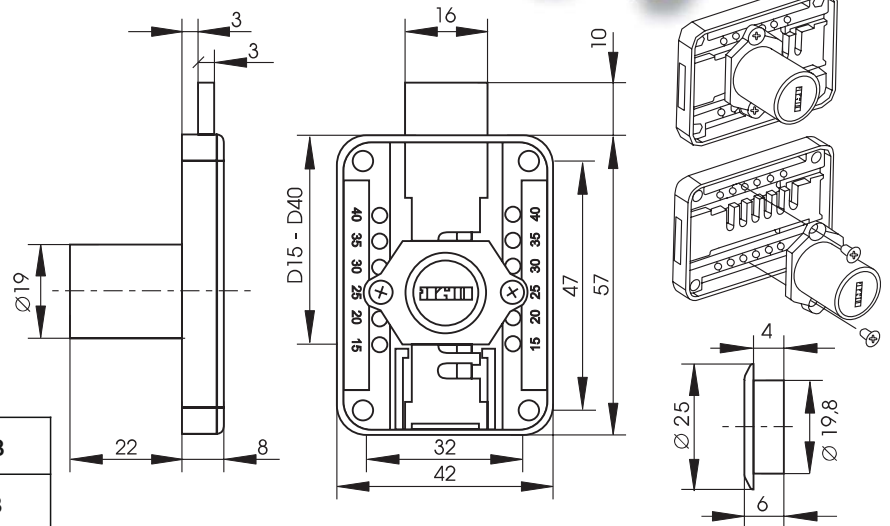
15, 20, 25, 30, 35, 40 mm
To adj. backset, remove the cylinder from the housing screwdriver and mount it in the required backset position

Specification:

Zamak lock body & cylinder
Steel rosette & keys
400 key combinations
Left & right hand versions. Drawer version available on request
Master key & Interchangeable system available on request

Finish:

Nickel plated
Other finishes upon request



14.01.012-0	лява	11,80 лв
14.01.013-0	дясна	11,80 лв

RIM LOCK NO. 850-N - Millennium

Application:

Drawers, wardrobes and cabinets

Accessories for one set:

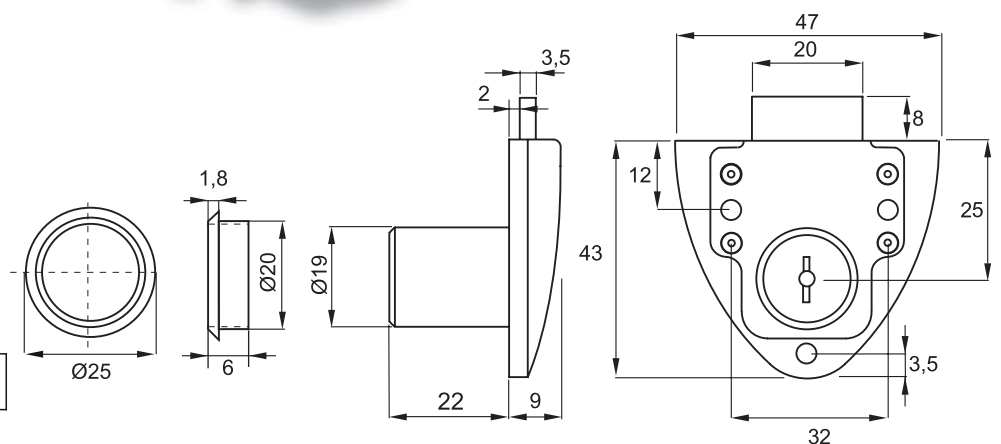
- 1 lock
- 1 rosette
- 3 mounting screws
- 2 SISO round metal keys

Specification:

Zamak lock body & cylinder
Steel rosette, screws & keys
Cylinder dia. 19 or 16,5 mm
400 key combinations
Drawer version. Left & right hand versions available on request
Master key & Interchangeable system available on request

Finish:

Nickel plated
Aluminium finish
Black anodized
Black nickel
Gold plated



14.01.050-0	6,76 лв
-------------	---------

Application:

Drawers, wardrobes and cabinets

Accessories for one set:

- 1 lock
- 1 rosette
- 2 SISO car keys

Specification:

Zamak lock body & cylinder
 Steel rosette & keys
 Cylinder diam. 19
 Cylinder lengths: 22 mm
 400 key combinations
 Drawer version. Left & right hand
 version available on request
 Master Key system available
 on request

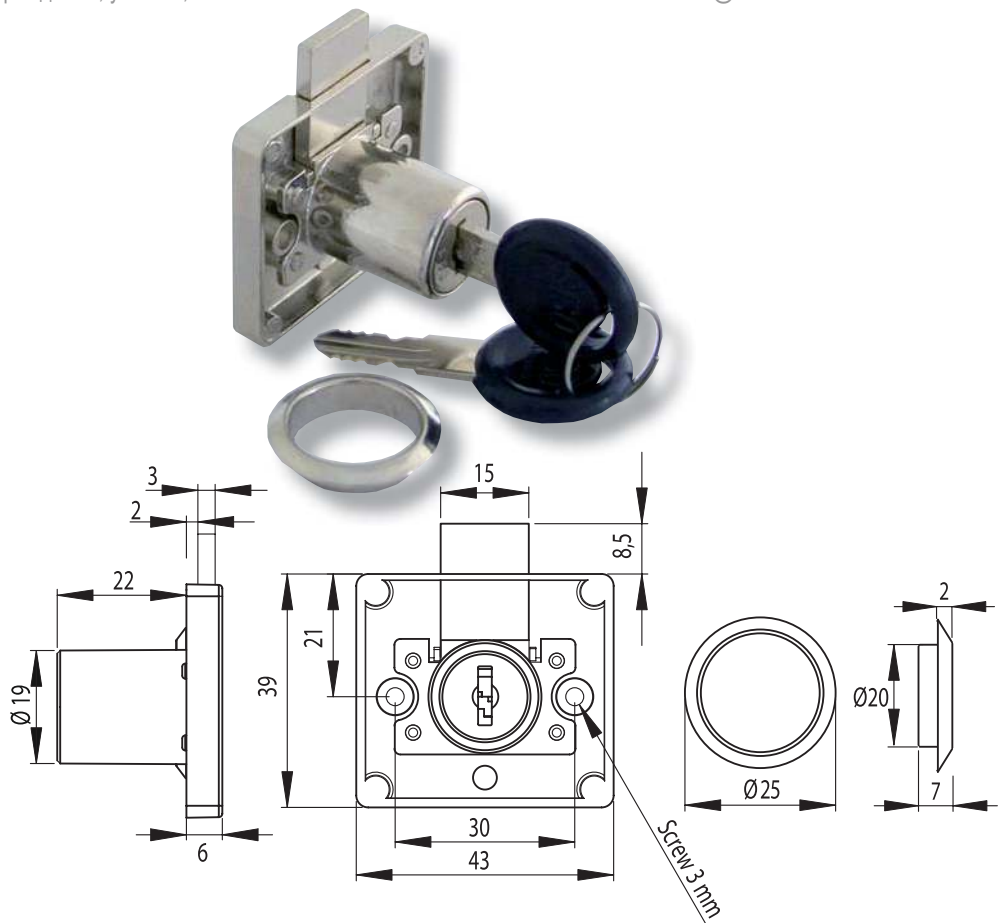
Finish:

Nickel plated
 Black anodized
 Other finishes upon request

Packing:

12 pcs per box
 240 pcs per export carton

Item No.: # 14.01.000 etc.



RIM LOCK NO. 850, LONG LATCH

Application:

Drawers, wardrobe, cabinets
 where big gab is expected
 or locking double door
 middle wall in between

Accessories for one set:

- 1 lock
- 1 rosette
- 2 SISO car keys

Function:

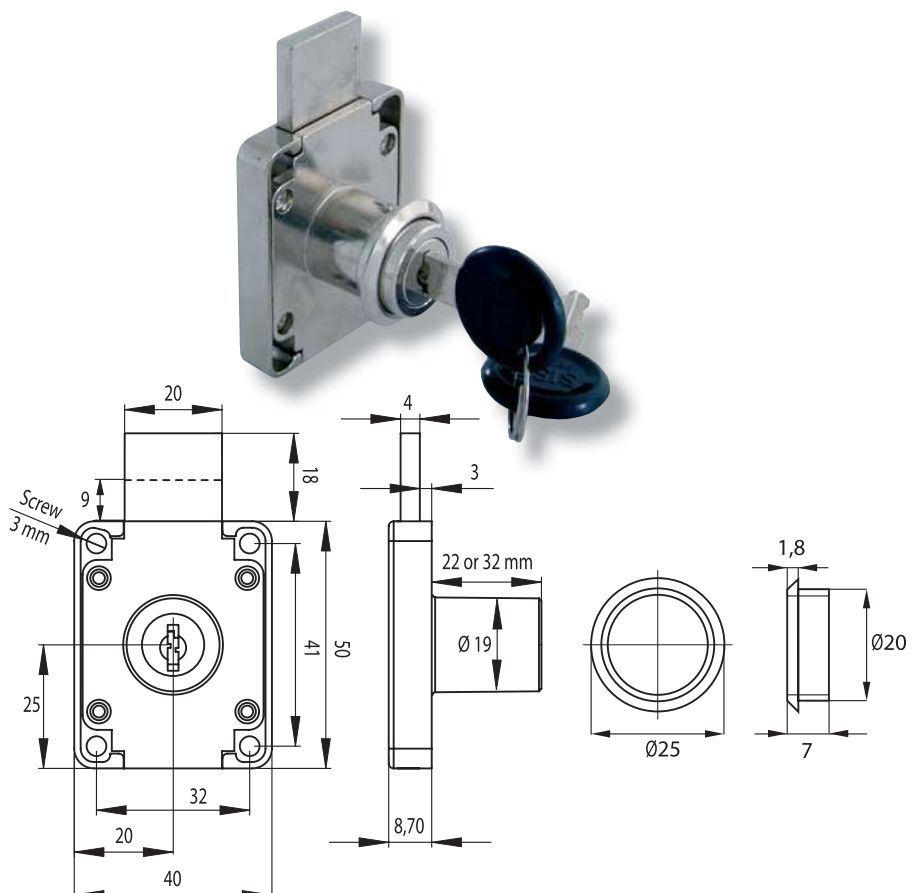
Turn key 180° latch come out half
 turn 360° latch will extend twice

Specification:

Zamak lock body & cylinder
 Steel rosette & keys
 Cylinder length 22 & 32 mm
 400 key combinations
 Drawer version. Left & right hand
 version available on request
 Master Key system available
 on request

Finish:

Nickel plated
 Other finishes upon request



14.01.089-0	7,10 лв
-------------	---------

Application:

Drawers, wardrobes and cabinets

Accessories for one set:

- 1 lock
- 1 rosette
- 4 screws
- 2 SISO car keys

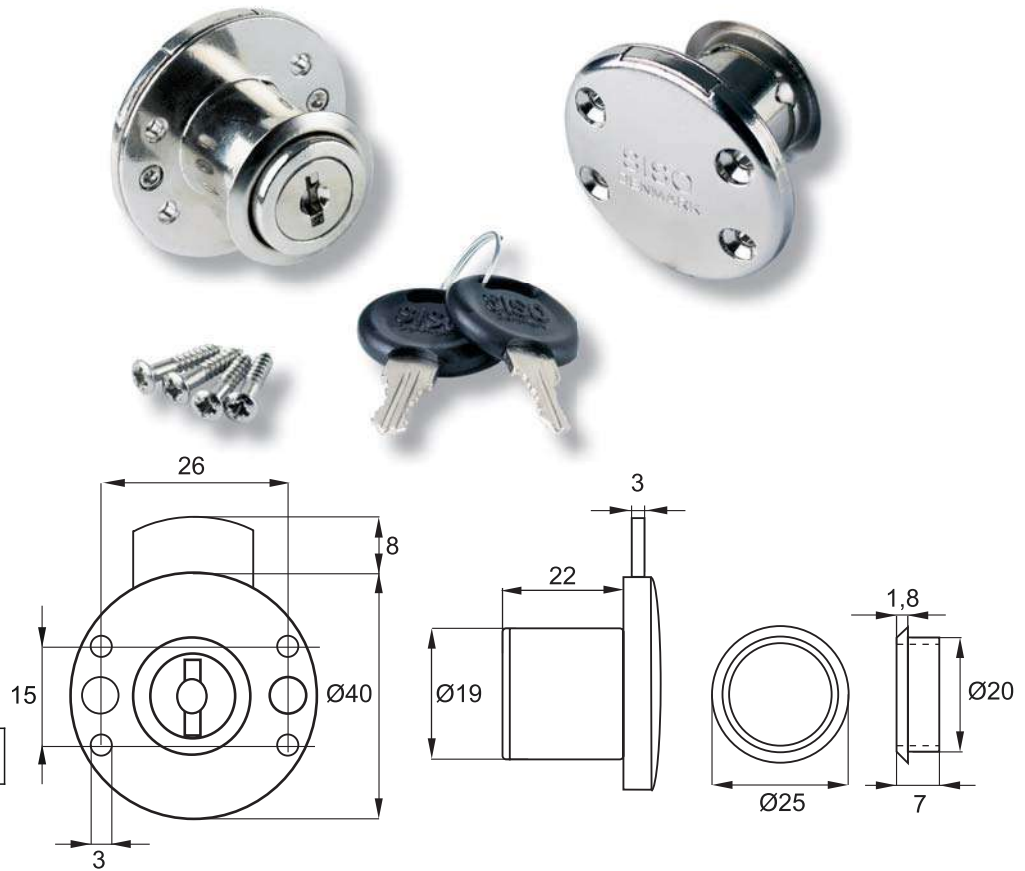
Specification:

Zamak lock body & cylinder
Steel rosette & keys
400 key combinations or key alike
Drawer version. Left & right hand version available on request
Master key & Interchangeable system available on request

Finish:

Nickel plated
Other finishes upon request

14.01.269-0	6,60 лв
-------------	---------



RIM LOCK NO. 850 GREY SISO DK name plate

Application:

Drawers, wardrobes and cabinets

Accessories for one set:

- 1 lock w/cylinder \varnothing 19 x 22 mm
- 1 rosette
- 2 SISO car keys

Specifications:

Zamak lock body & cylinder
Steel rosette & keys
SISO DK name plate grey plastic.
400 key combinations
Drawer. Left & right available on request

Master key system available
Interchangeable system
NOT possible

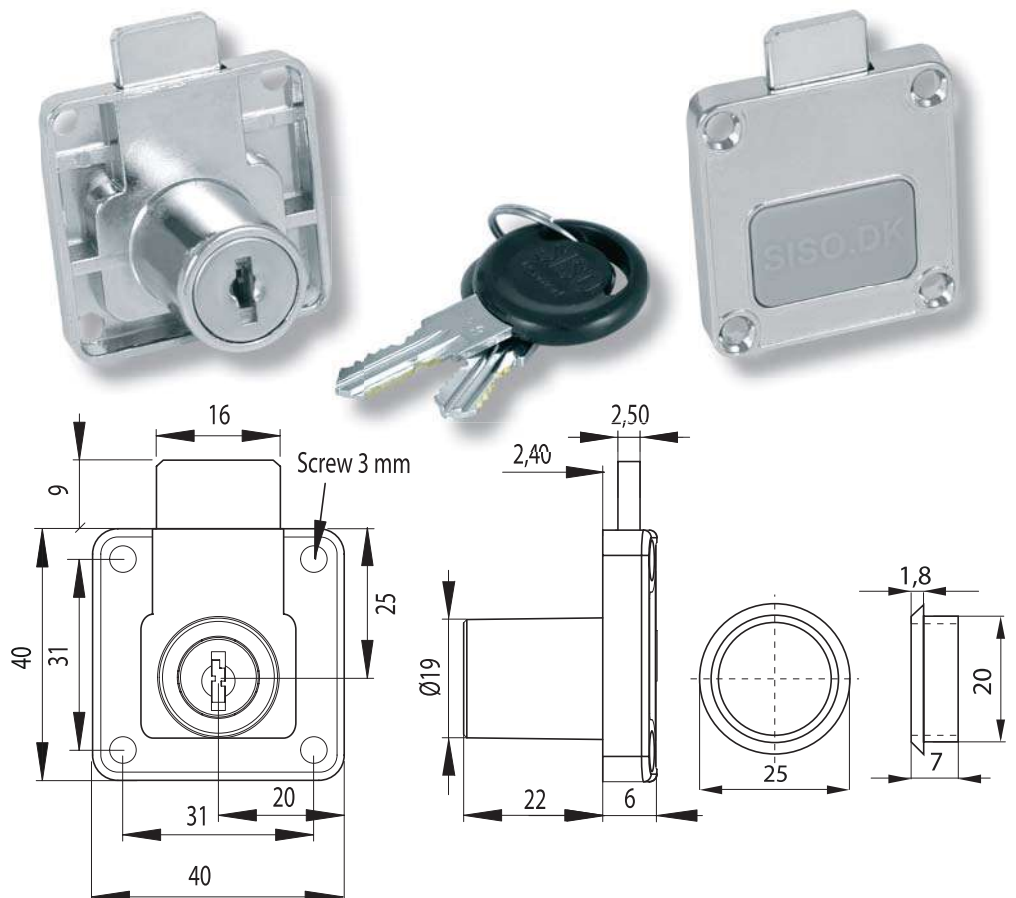
Packing:

- 12 pcs per box
- 240 pcs per export carton

Item No.:

Nickel plated # 14.01.054

Other finishes upon request



RIM LOCK "CPH"

Application:

For drawers, wardrobes & cabinets

Accessories for one set:

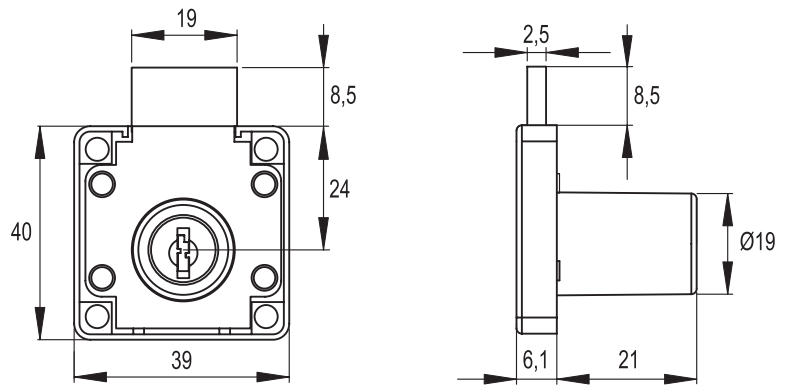
- 1 lock
- 1 rosette
- 2 "CPH" hinged car keys

Specifications:

Zamak lock body & cylinder
Steel rosette & keys
Cylinder size: $\varnothing 19 \times 21$ mm
80 key combinations or key alike
Only available as drawer version

Finish:

Nickel plated



14.01.056-0	разл. ключ	3,11 лв
14.01.056-5	едн. ключ	3,11 лв

RIM LOCK NO. 850 W/PLASTIC BODY

Application:

Drawers, wardrobes and cabinets

Accessories for one set:

- 1 lock w/cylinder $\varnothing 19 \times 22$ mm
- 1 rosette
- 2 neutral car keys
or hinged car keys (HCK)

Specifications:

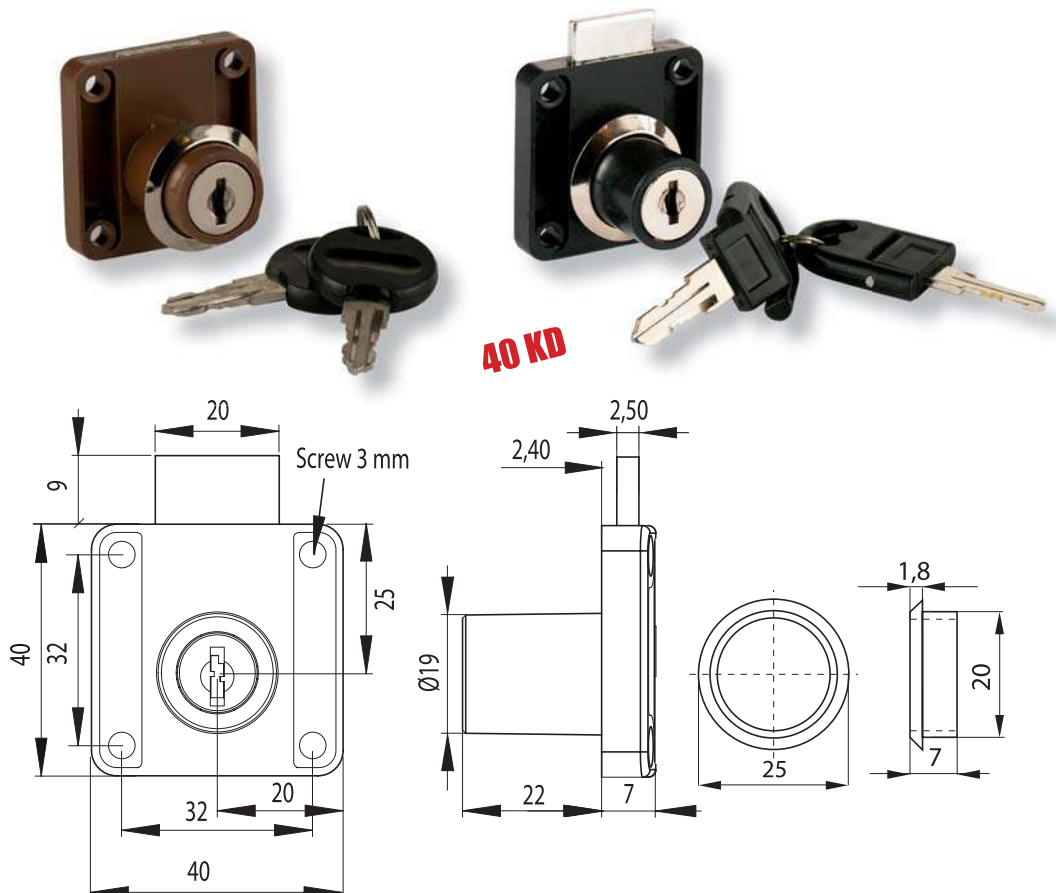
Lock body made of plastic.
Cylinder made of zamak.
Rosette & keys made of steel
Drawer version. Left & right hand
version available on request

Packing:

12 pcs per box
240 pcs per export carton

Item No.:

- Black w/car keys # 14.01.051-1
- Black w/hinged CK # 14.01.051-3
- Brown w/car keys # 14.01.051-5



Application:

Perfect for double door cabinets and wardrobes

Accessories for one set:

- 1 lock w/cylinder $\varnothing 19 \times 22$ mm
- 1 rosette
- 2 L-shaped striking plates
- 2 SISO car keys

Specifications:

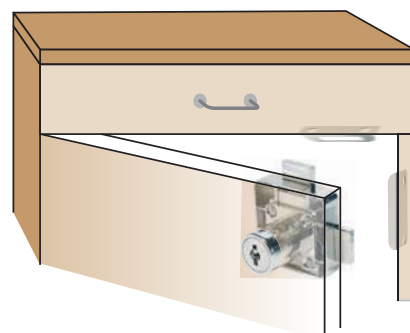
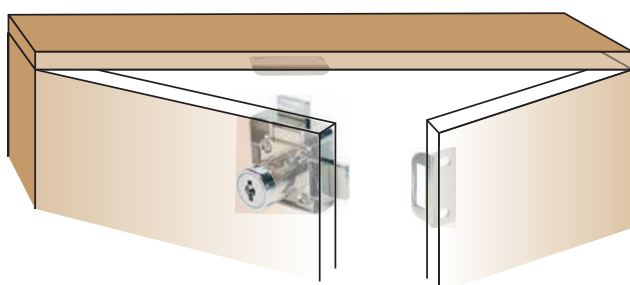
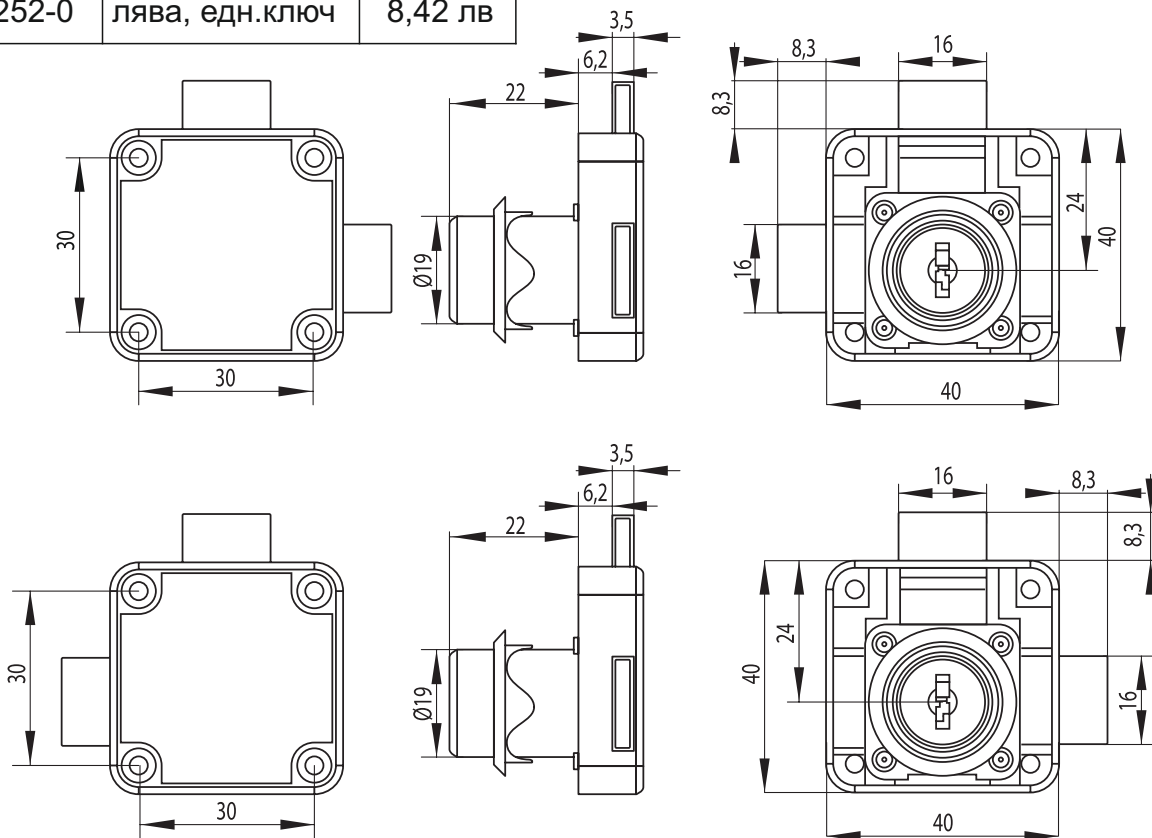
Lock body & cylinder made of zamak
 Rosette, striker & keys made of steel
 400 key combinations or key alike
 Right or left hand version

Finish:

Nickel plated
 Other finishes upon request



14.01.250-0	дясна	10,91 лв
14.01.251-0	лява	10,91 лв
14.01.252-0	лява, едн.ключ	8,42 лв



Application:

Hotel minibars, tills, drawers, wardrobes and cabinets

Accessories for one set:

- 1 lock
- 1 rosette
- 1 striking plate
- 2 SISO car keys

Function:

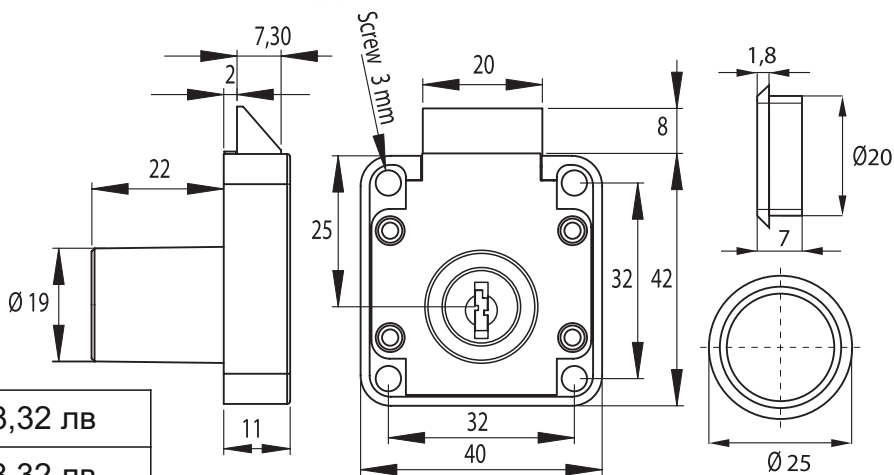
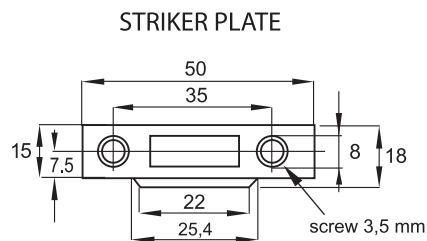
Spring loaded tongue allows doors and drawers to push lock automatically

Specification:

Zamak lock body & cylinder
Steel rosette & keys
400 key combinations
Steel rosette, keys & striker
Drawer version. Left & right hand version available on request
Master Key system available on request

Finish:

Nickel plated



14.01.481-0	разл. ключ	8,32 лв
14.01.483-0	едн. ключ	8,32 лв

SLAM LOCK NO. 856N "Millennium"

Application:

Hotel mini bars, tills, drawers, wardrobes and cabinets

Accessories for one set:

- 1 lock
- 1 rosette
- 1 striking plate
- 2 SISO car keys
- 3 mounting screws

Function:

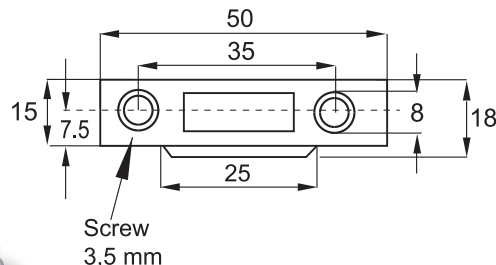
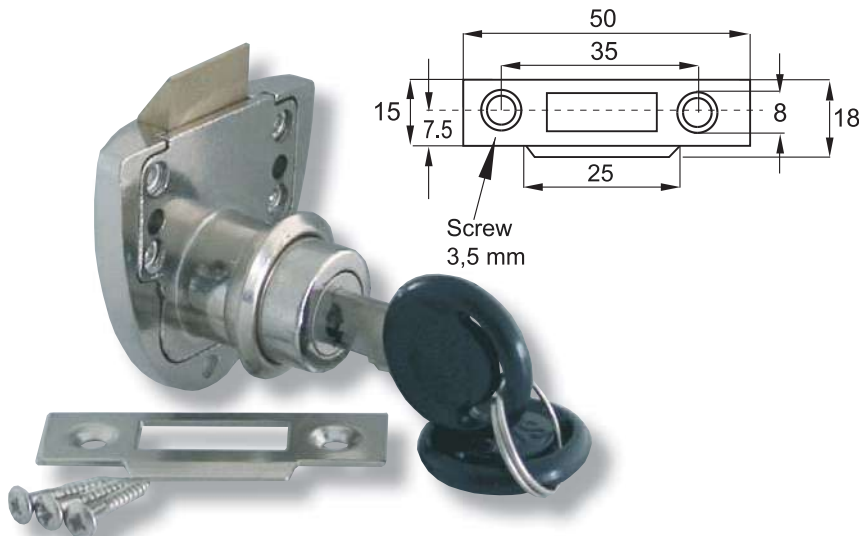
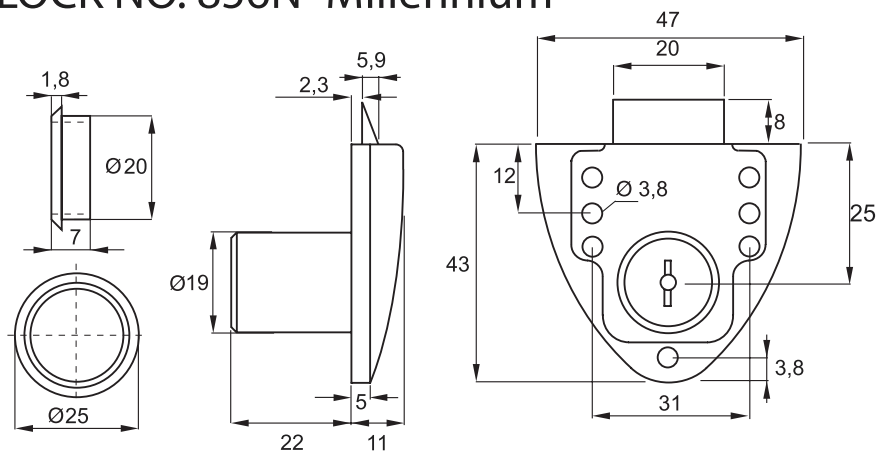
Spring loaded tongue allows doors and drawers to push lock automatically

Specification:

Zamak lock body & cylinder
Steel rosette & keys
400 key combinations
Steel rosette, keys, striker & screws
Drawer version. Left & right hand version available on request
Master Key system available on request

Finish:

Nickel plated



Application:

Hotel mini bars, tills, drawers, wardrobes and cabinets

Accessories for one set:

- 1 lock
- 1 rosette
- 2 neutral car keys

Function:

Spring loaded tongue allows doors and drawers to push lock automatically

Specification:

Zamak lock body & cylinder
Steel rosette & keys
500 key combinations
Drawer version. Left & right hand version available on request
Master key & Interchangeable system available on request

Finish:

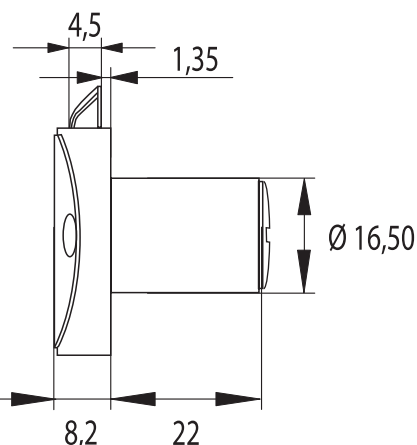
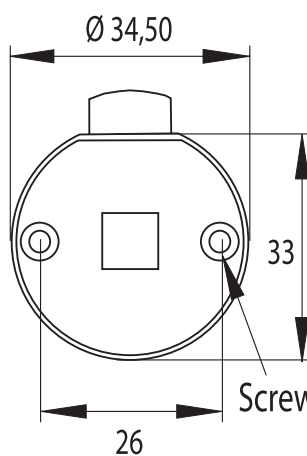
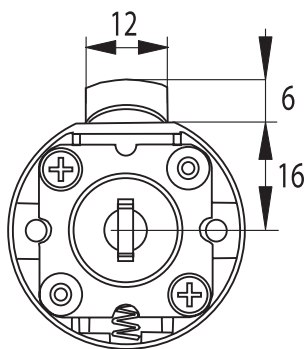
Nickel plated
Others upon request

Packing:

12 pcs per box
240 pcs per export carton

Item No.:

- Lock # 14.01.495
- Master key # 14.04.122
- Interchangeable key # 14.01.132



ROLL BLIND LOCK NO. 2159

Application:

Roller shutter doors vertical or horizontal sliding doors

Accessories for one set:

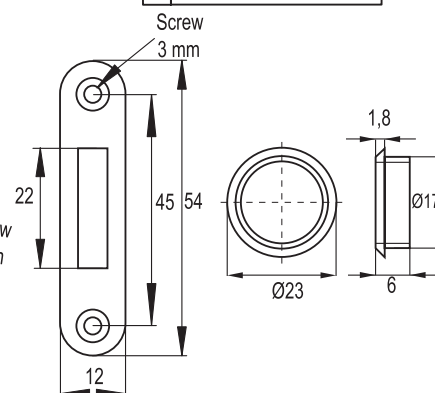
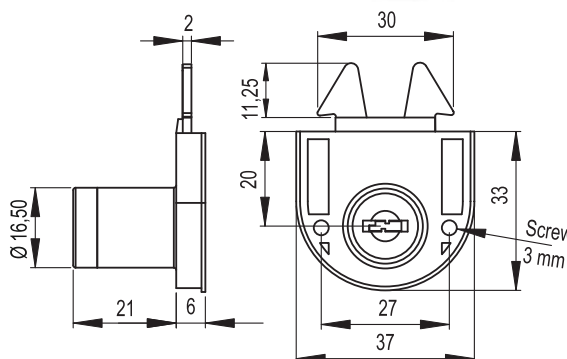
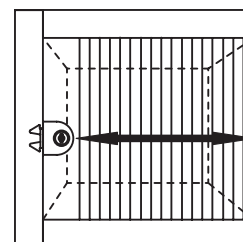
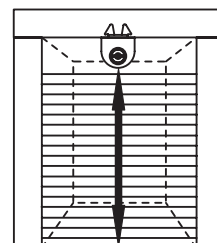
- 1 lock
- 1 rosette
- 1 flat striking plate
- 2 SISO car keys

Function:

To open turn key 30°
Spring loaded hooks allow automatic push locking

Specification:

Lock body - black plastic
Zamak cylinder - nickel plated
Steel rosette,striker & keys
200 key combinations
Master Key system available on request



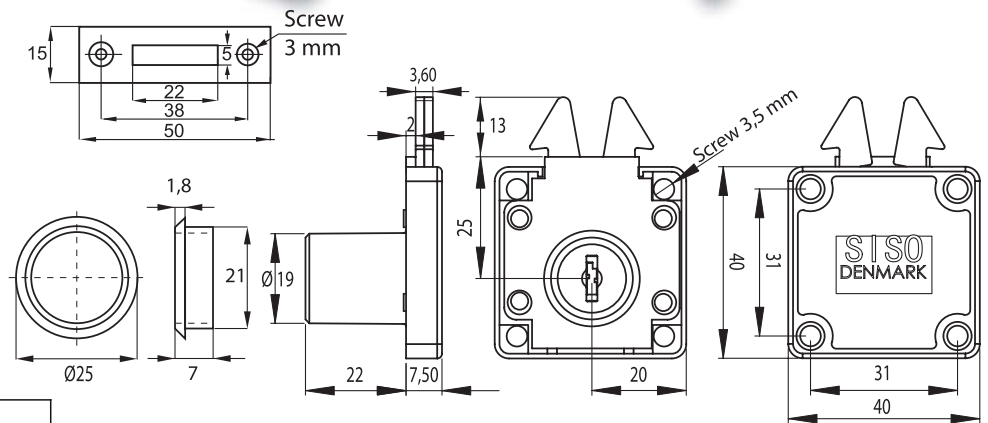
14.01.470-0	7,45 лв
-------------	---------

Application:
Roller shutter doors vertical
or horizontal sliding doors

Accessories for one set:
1 lock
1 Rosette
1 flat striking plate
2 SISO car keys

Function:
To open turn key 30°
Spring loaded hooks allow
automatic push locking

Specifications:
Zamak body & cylinder
Steel rosette, striker & keys
Cylinder diameter: \varnothing 16,5 or \varnothing 19 mm
Cylinder length: 22 or 32 mm
400 key combinations or key alike
Master key & interchangeable system
available on request



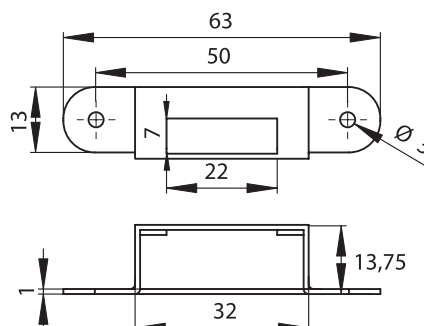
14.01.460-0	7,67 лв
-------------	---------

RAISED STRIKING PLATE F/LOCK 855



Application:
Raised striker for more security
No cutting in panel necessary
Easy installation

Material:
Steel - nickel plated



14.01.500-0	1,34 лв
-------------	---------

Application:

Vertical roller shutter doors
& sliding doors

Accessories one set:

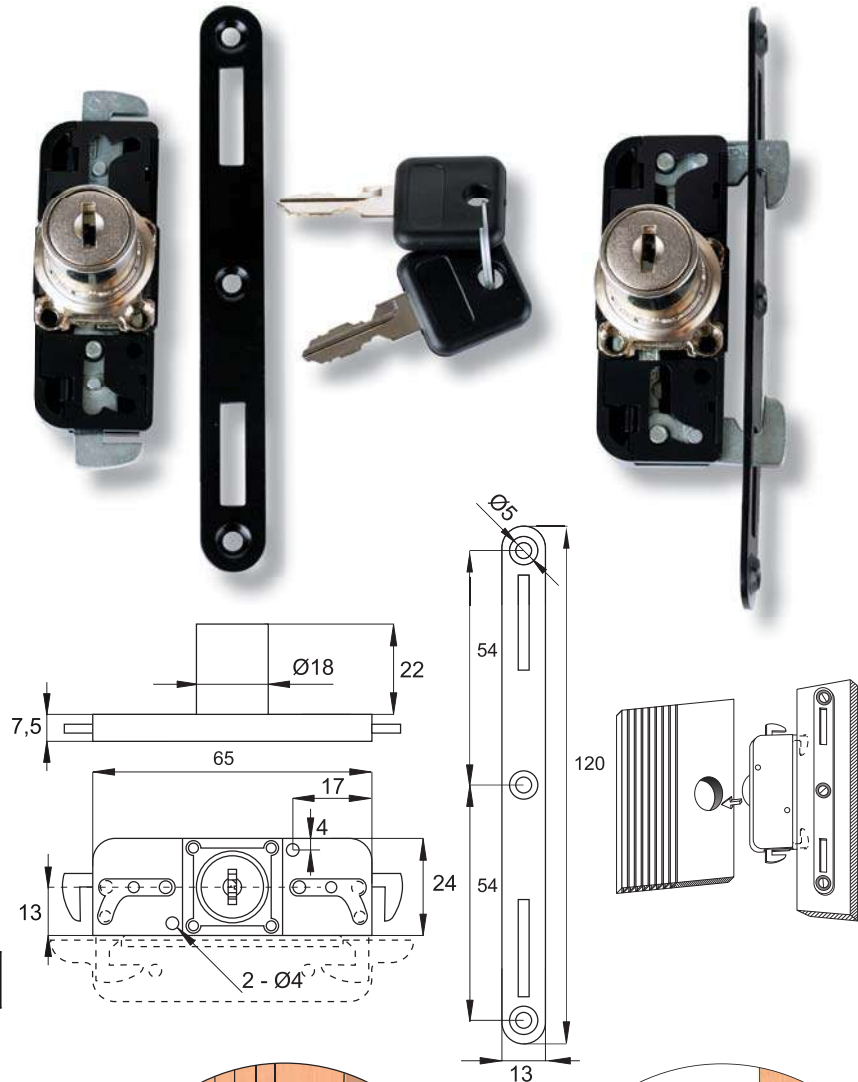
- 1 lock
- 1 steel nickel plated striking plate
- 1 rosette
- 2 neutral car keys

Function:

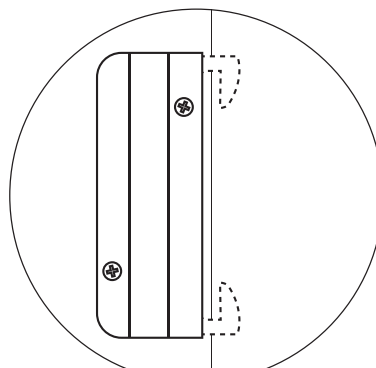
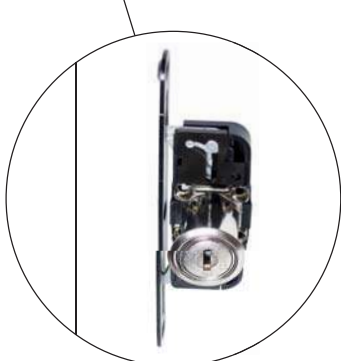
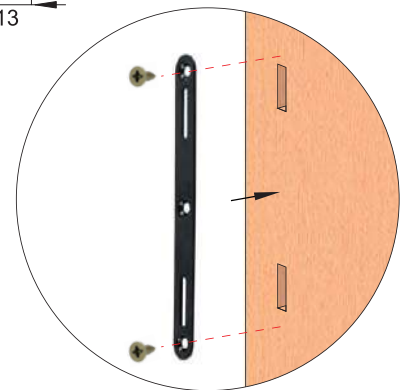
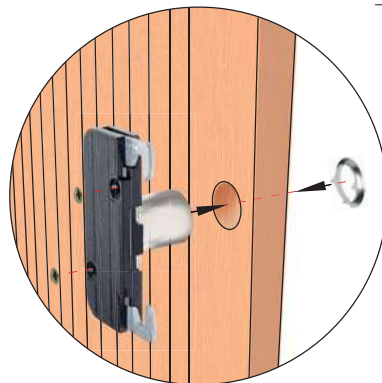
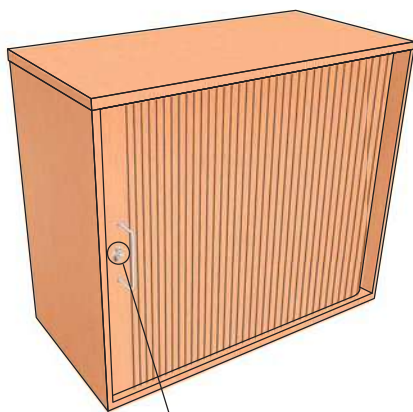
Turn key 180° and 2 hooks will move out from the lock body anchoring into the enclosed striker

Specification:

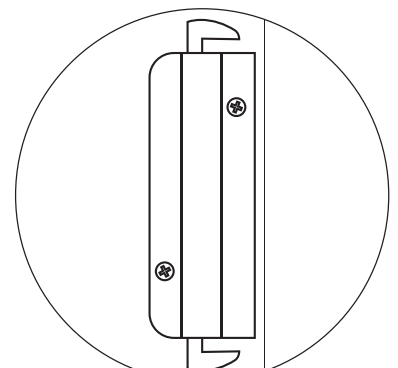
Lock body: black nylon
Zamak cylinder & hooks
Cylinder $\varnothing 18$ mm
Cylinder length 22 mm or 32 mm
400 key combinations or key alike
Master key & Interchangeable system available on request



14.01.405-0	20,30 лв
-------------	----------



Locked



Unlocked

FLAP LOCK NO.9411, PLASTIC HOUSE

Application:

Flap doors

Accessories:

- 1 lock
- 1 rosette
- 1 striking plate
- 2 metal keys

Function:

To close: push cylinder and turn key
 To open: turn key
 Key removable in locked position only

Specification:

Plastic lock body
 Steel cylinder, striker, cam, rosette & keys
 Key alike only

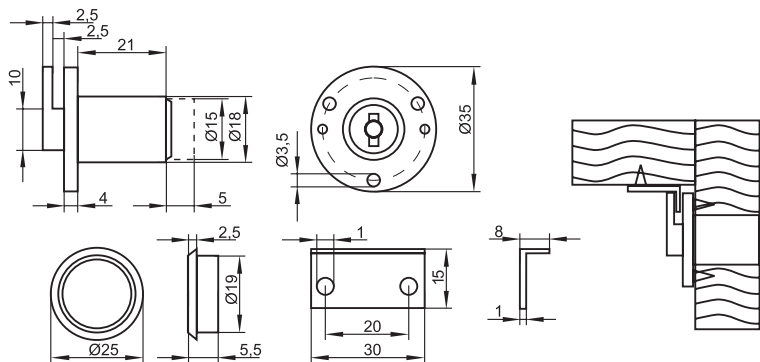
Finish:

Brown Body - Brass plated cylinder

Packing:

12 pcs per box
 300 pcs per export carton

Item No.: # 14.07.120



FLAP LOCK NO.9411, ALL METAL

Application:

Flap doors

Accessories:

- 1 lock
- 1 rosette
- 1 striking plate
- 2 SISO car keys

Function:

To close: push cylinder and turn key
 To open: turn key

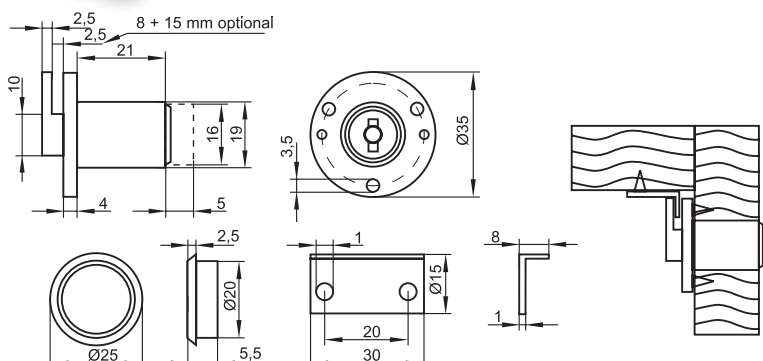
Key removable in locked and unlocked position

Specification:

Zamak lock body & cylinder
 Steel rosette,striker & keys
 400 key combinations
 Master Key system available on request

Finish:

Nickel plated
 Brass plated
 Bronze plated



14.07.105-0	6,48 лв
-------------	---------

Application:

Drawers, wardrobe, cabinets,
universal for many diff. purposes
ONE WING TYPE mainly applied
for shutter doors

Accessories for one set:

- 1 lock
- 1 rosette
- 2 SISO car keys or metal keys

Option:

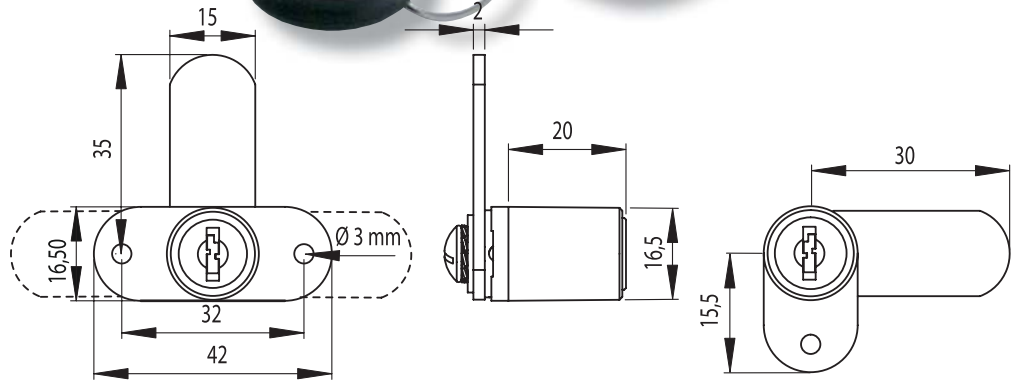
19 mm cylinder diam and many
other different cam types
available upon request
Other rotation angle

Specification:

Zamak lock body & cylinder
Steel rosette, cam & keys
400 key combinations
Master Key system available
on request

Finish:

Nickel plated
Others upon request



14.04.605-0	разл.ключ	5,40 лв
14.04.612-0	едн.ключ	5,40 лв

PUSH AND TURN LOCK NO. 919

Application:

Heavy duty sliding doors
Flap doors

Accessories for one set:

- 1 lock
- 1 rosette
- 1 striking plate
- 2 SISO car keys

Function:

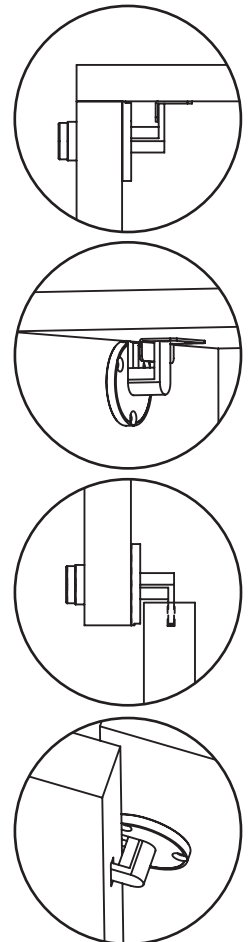
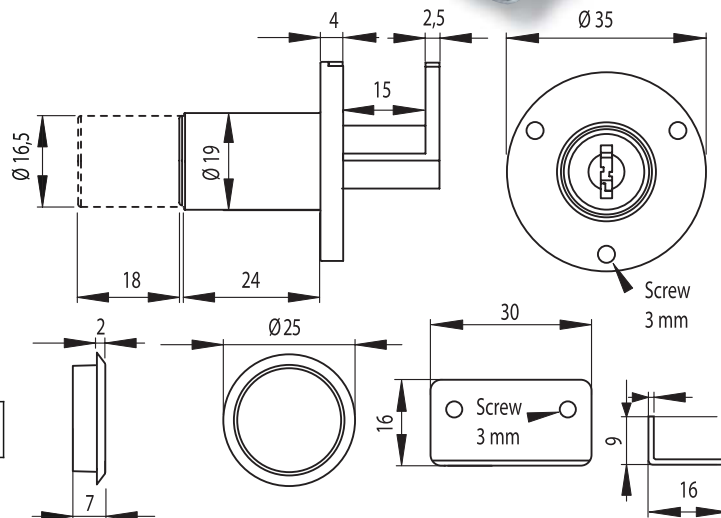
To lock push cylinder and turn
key to allow cam enter back door
Key removable in locked and
unlocked position

Specification:

Zamak lock body & cylinder
Steel rosette,striker & keys
Cylinder diam. 19 mm
Cylinder lenght 24 mm
400 different key combinations
Master Key system available
on request

Finish:

Nickel plated
Other finishes upon request



14.03.005-0	5,40 лв
-------------	---------

CAM LOCK NO. 1216

Accessories for one set:

- 1 lock
- 1 hex nut or 1 snap on clip
- 2 SISO metal keys
- 1 cam
- 1 transparent plastic washer

Specification:

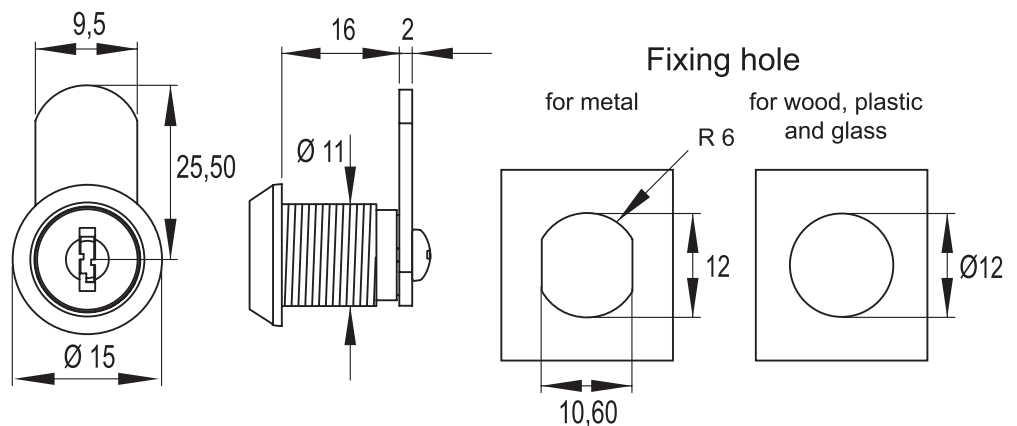
- Zamak lock body & cylinder
- Steel hex nut, cam & keys
- 50 key combinations or key alike
- 90° turn

Option:

- Other cam style/sizes
- Other rotation angle

Finish:

- Chrome plated
- Others upon request



14.04.426-0	5,08 лв
-------------	---------

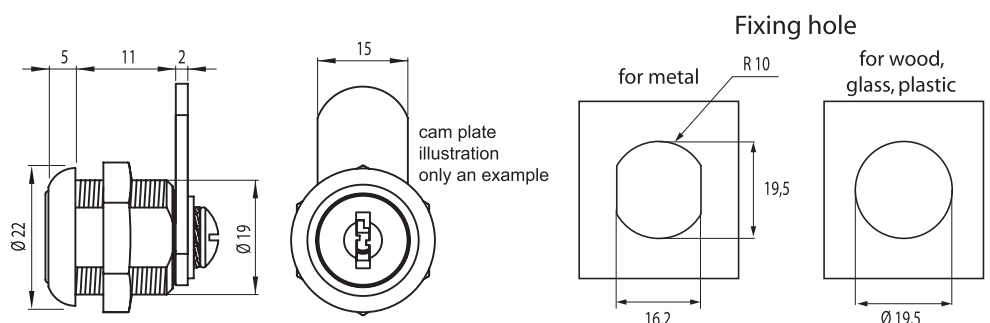
CAM LOCK NO. 1911

Accessories for one set:

- 1 lock
- 1 hex nut
- 1 cam plate No. 7 spun on to lock body
- 2 SISO car keys

Specifications:

- Zamak body, cap, cylinder & hex nut
- Steel cam & keys
- Cylinder size: $\varnothing 19 \times 11$ mm
- 400 key combinations or key alike
- 180° turn



14.04.430-0	4,70 лв
-------------	---------

Accessories for one set:

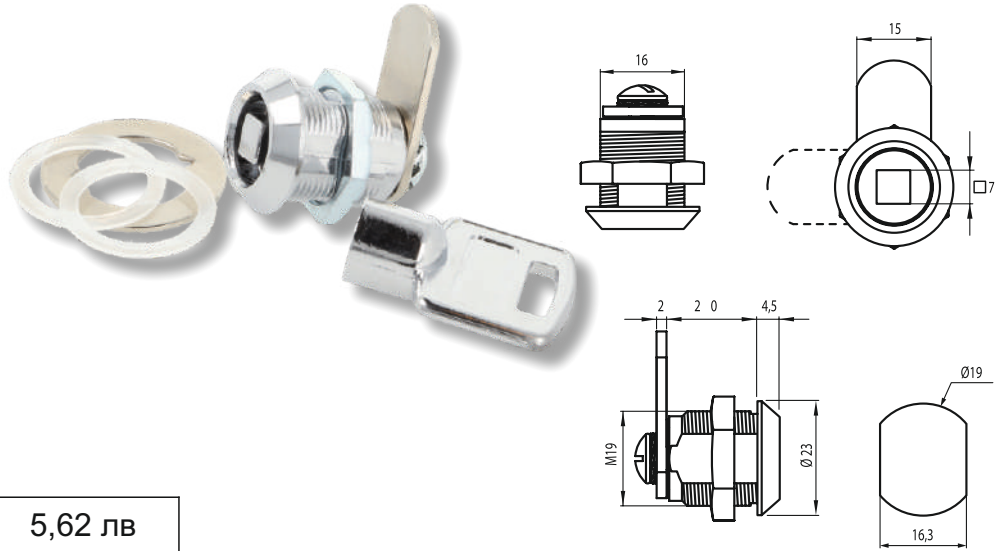
- 1 cylinder \varnothing 19 x 20 mm
- 1 hex nut
- 1 cam plate No. A01
- 1 spike washer
- 2 transparent washers
- 1 zamak bit key

Specifications:

- Zamak lock body, cylinder & key
- Steel spike washer & cam plate
- Transparent washers in PVC
- 90° turn, Chrome plated
- Activated by pushing in the bit key

Item No.: # 14.04.481

14.04.481-0	\varnothing 19x20 мм	5,62 лв
-------------	------------------------	---------



Accessories for one set:

- 1 lock
- 1 hex nut
- 1 cam plate
- 1 spike washer
- 2 transparent washers
- 2 "CPH" metal car keys

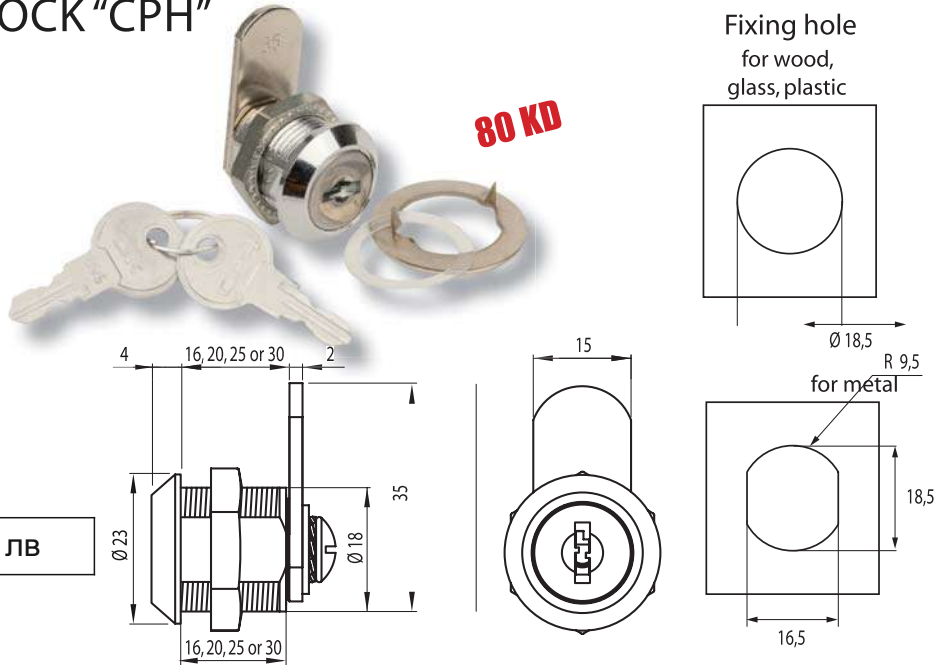
Specifications:

- Zamak lock body, cylinder & hex nut
- Steel rosette, cam plate, spike washer & keys
- Transparent washers in PVC
- Cylinder size: \varnothing 18 x 16, 20, 25 or 30 mm
- 90° turn
- 80 key combinations

Finish:
Chrome plated

14.04.468-5	\varnothing 18x16 мм	4,27 лв
-------------	------------------------	---------

CAM LOCK "CPH"



CAM LOCK 1920 W/TRIANGULAR BIT KEY

Application:

For drawers & cabinets

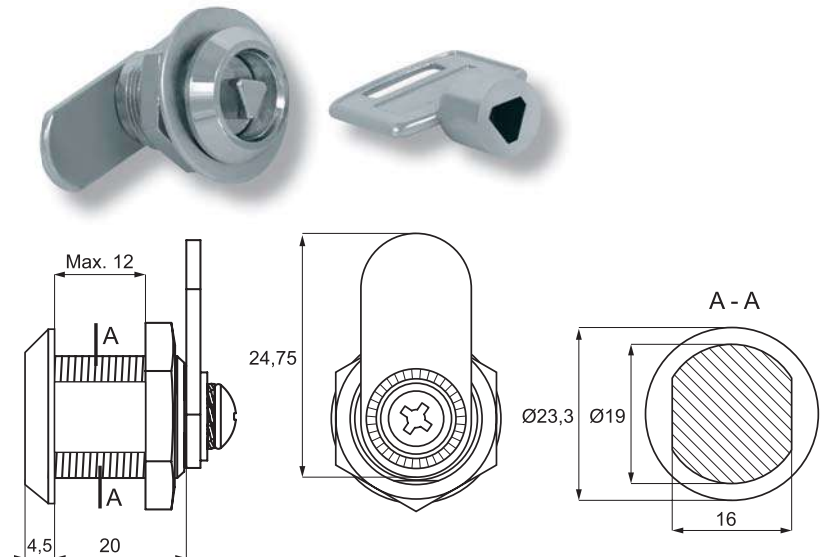
Accessories for one set:

- 1 cylinder \varnothing 19 x 20 mm
- 1 hex nut
- 1 cam plate no. 9
- 1 zamak bit key

Specifications:

- Cylinder and key made of zamak - CPL
- Cam made of steel.
- Hex nut made of zamak
- 90° turn
- Activated by pushing in the bit key

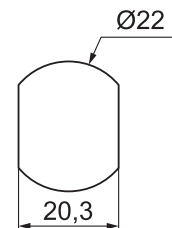
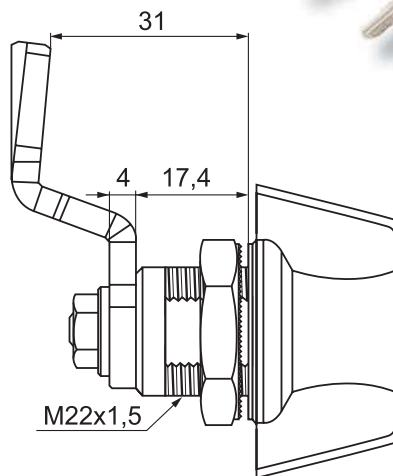
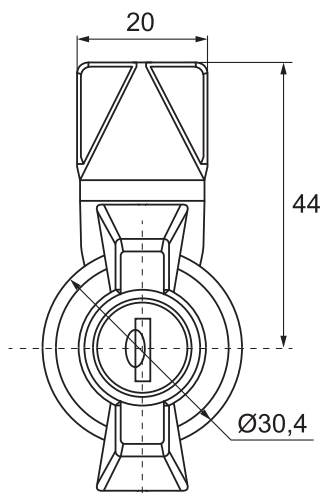
14.04.483-0	5,62 лв
-------------	---------



Cam Lock "Biggi"

Ø20x18mm, CPL,
W/Dust Cover,
W/15mm Cranked Cam, ce:45mm,
W/Black Washer & Brass Hex Nut,
W/5 Car Keys W/Biggi Logo

Item No.: #14.08.125



Cashier Desk Lock M-1920

180° rotation 2 stops
at 90° and 180°



14.04.487-9	5,40 лв
-------------	---------

Universal cam lock 5250

Cylinder: ø16,5 x 20 mm
Double cam No. 145
Incl. 2 different strikers

14.04.630-0		6,48 лв
14.04.604-9	мастер ключ	7,02 лв



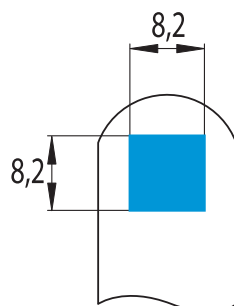
CAM PLATES F/CAM LOCKS 1900 & 5250 SERIES

STRAIGHT CAM PLATE	CODE	L
	A01	25
	A02	30
	A03	35
	A04	40
	A05	45
	A06	50

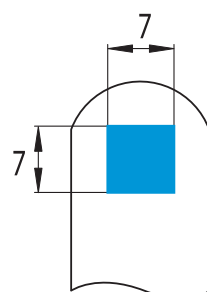
HOOK TYPE CAM PLATE	CODE	L
	A07	25
	A08	30
	A09	40
	A10	50

OFFSET CAM PLATE	CODE	L	H	CODE	L	H	CODE	L	H
	A21	25	2	A31	25	3	A41	25	4
	A22	30	2	A32	30	3	A42	30	4
	A23	35	2	A33	35	3	A43	35	4
	A24	40	2	A34	40	3	A44	40	4
	A25	45	2	A35	45	3	A45	45	4
	A26	50	2	A36	50	3	A46	50	4

OFFSET CAM PLATE	CODE	L	H	CODE	L	H	CODE	L	H
	A51	25	5	A61	25	6	A71	25	7
	A52	30	5	A62	30	6	A72	30	7
	A53	35	5	A63	35	6	A73	35	7
	A54	40	5	A64	40	6	A74	40	7
	A55	45	5	A65	45	6	A75	45	7
	A56	50	5	A66	50	6	A76	50	7



FOR CAM LOCK 1900 & 5250 SERIES

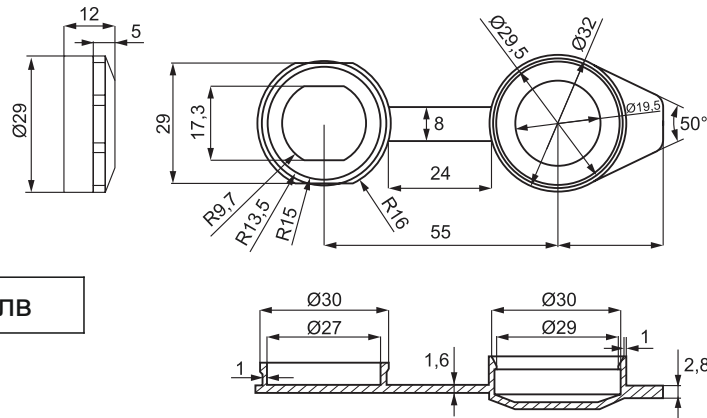


FOR CAM LOCK MIC 1900 SERIES

Plastic Cover Cap
Black PE material

Item No.: # 14.04.560

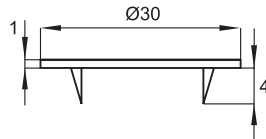
14.04.560-0	1,43 лв
-------------	---------



Spike Washer
Steel nickel plated

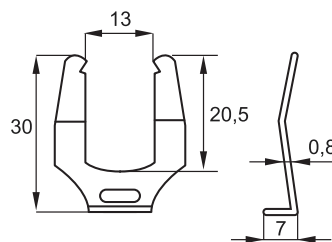
Item No.: # 14.04.307

14.04.307-0	0,54 лв
-------------	---------



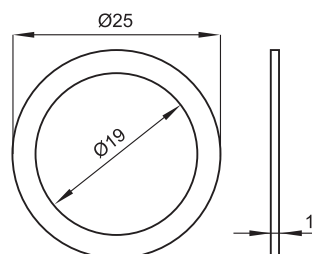
Spring Clip
Steel nickel plated

Item No.: # 14.04.308



Plastic Washer
Transparent PVC

Item No.: # 14.09.340



PUSH LOCK NO. 1003

Application:

Sliding doors

Accessories for one set:

- 1 lock
- 1 rosette
- 2 SISO car keys

Function:

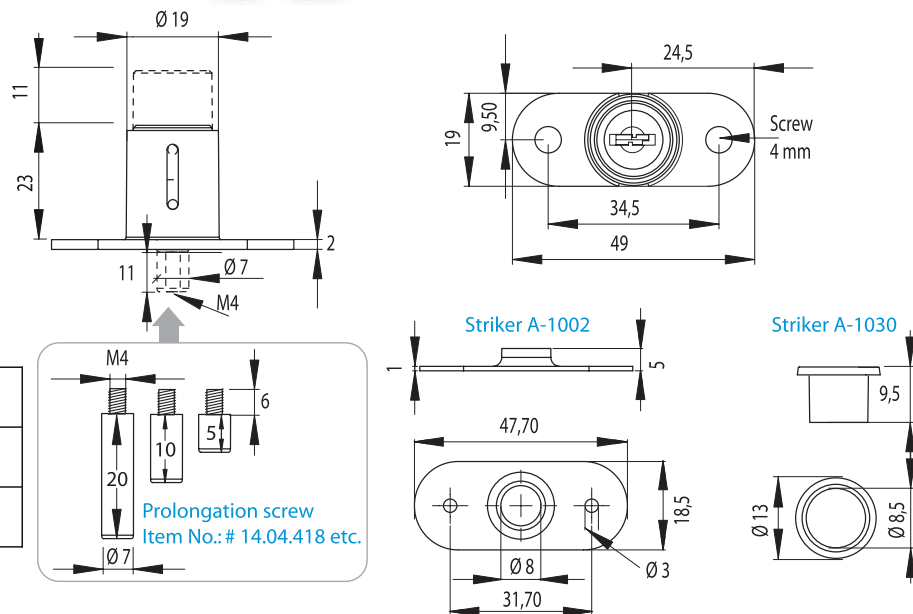
To open: turn key
 To close: push cylinder
 Special model available security action i.e. lock can not be pushed/closed out inserting and turning the key

Specification:

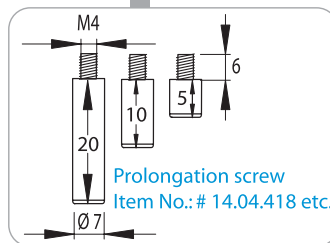
Zamak lock body & cylinder
 Steel rosette & keys
 Cylinder dia. 19 mm
 Cylinder lengths: 23 mm
 400 key combinations or key alike
 Master key & Interchangeable system available on request



Special model available security action i.e. lock can not be pushed/closed out inserting and turning the key
 Item No.: # 14.03.025



14.03.030-2	разл.ключ	6,61 лв
14.03.032-0	чупещ кл.	6,30 лв
14.03.009-5	едн.ключ	5,94 лв



PUSH LOCK NO. T-1003

Application:

Sliding doors

Accessories for one set:

- 1 lock Ø22 x 24mm
- 1 rosette
- 1 locking sleeve/striker
- 2 Tubular SISO car keys

Function:

To open - turn key
 Push cylinder to lock

Specification:

Zamak lock body & Cylinder
 Steel rosette & locking sleeve
 2000 key combinations

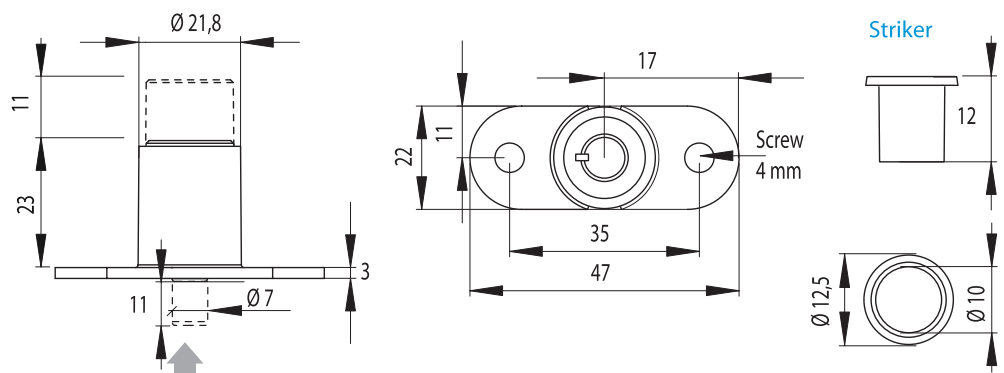
Finish:

Nickel plated

Packing:

- 10 pcs per box
- 200 pcs per export carton

Item No.: # 14.03.035



Material:
Plastic

Application:
Drawers, wardrobes, cabinets in caravans + vessels + airplanes

Universal for right/left/draw application

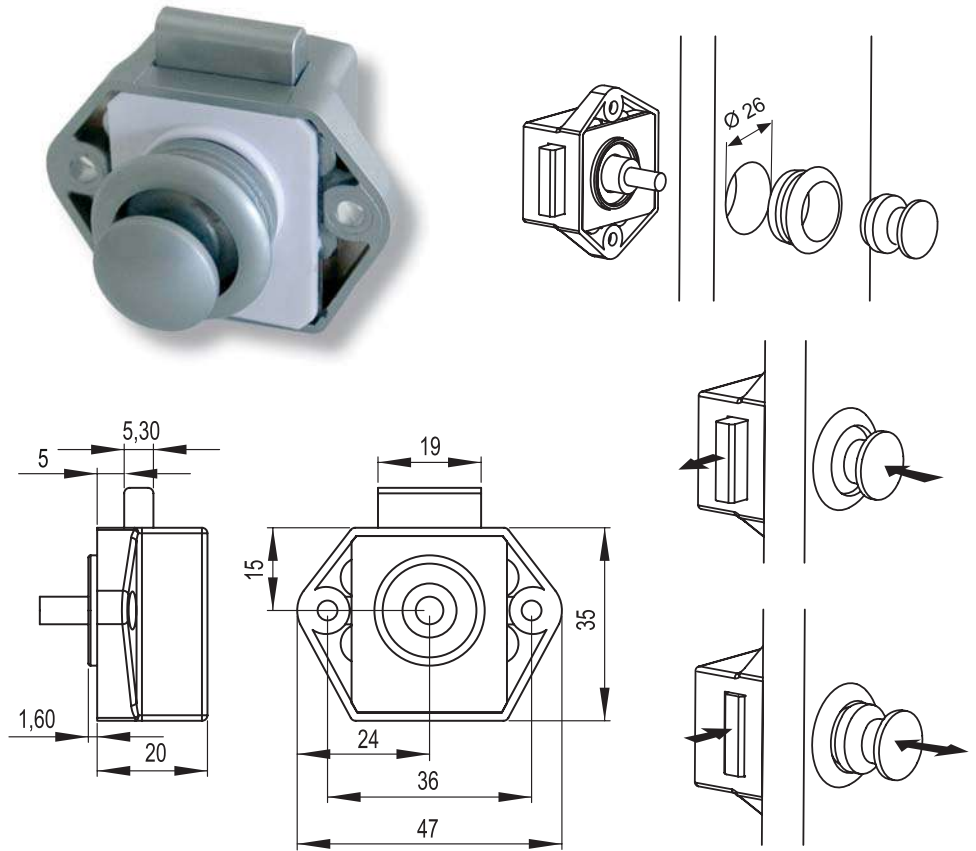
Accessories for one set:
1 lock
1 rosette
1 push button

Function:
Close the door, push the knob inside and secure the latch so door will not open until knob is pushed out again

FOR DOOR THICKNESS 16 MM

Finish:
Silver sprayed

14.03.050-0	6,48 лв
-------------	---------



PUSH LOCK "CAMP"

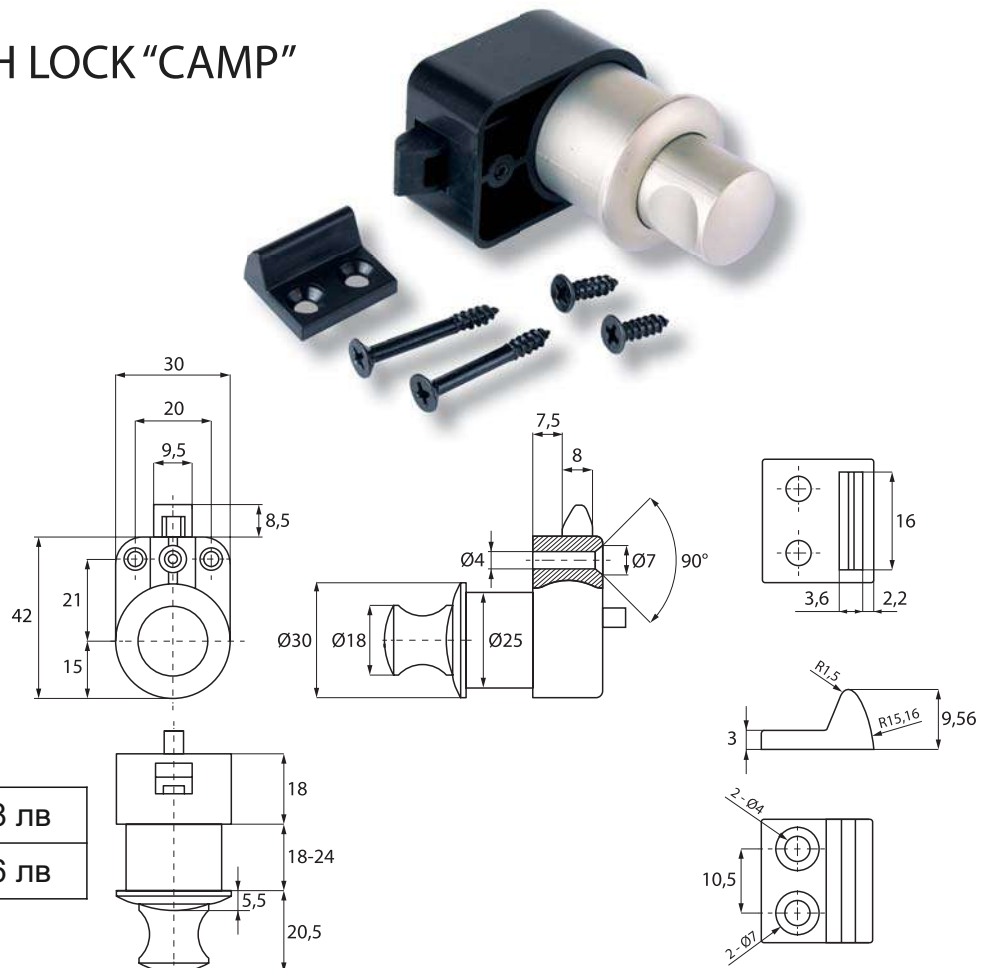
Application:
For drawers, wardrobes & cabinets in caravans, vessels, airplanes ect.

Accessories for one set:
1 lock
1 plastic striker w/fixing screws
2 screws f/panel thickness extension

Specifications:
Cylinder and knob made of zamak
Lock body made of plastic
Slam lock function
Locked by pushing the knob
Panel thickness 18 - 24 mm

Item No.:
Black/chrome plated # 14.03.055
Black/matt nickel plated # 14.03.056

14.03.055-0	хром	7,78 лв
14.03.056-0	мат	8,96 лв



PUSH LOCK MODEL "BUDAPEST"

Application:

Sliding doors, post boxes and other all round application

Accessories for one set:

- 1 lock
- 2 SISO car keys

Function:

To open – turn key
Push cylinder to lock

Specification:

Zamak lock body & cylinder
Steel rosette & keys
400 key combinations or key alike

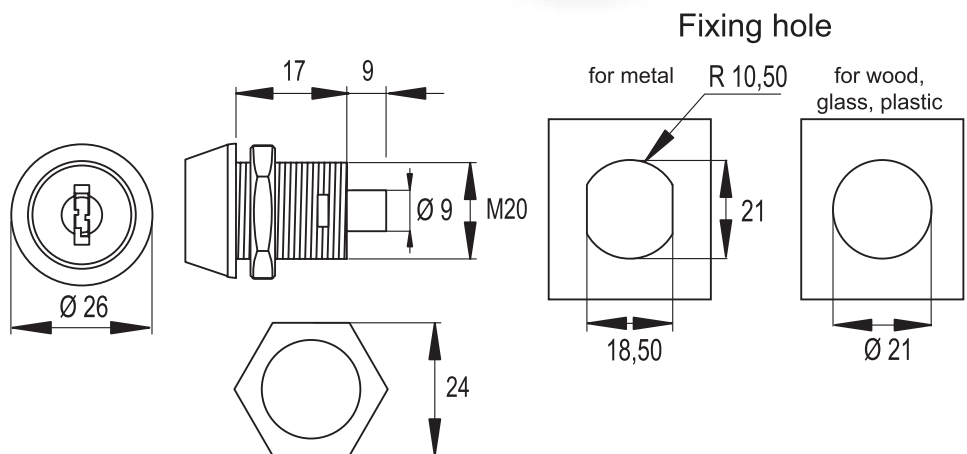
Finish:

Nickel plated

Packing:

40 pcs per box
400 pcs per export carton

Item No.: # 14.03.006



PUSH LOCK WINDOW NO. 280

Application:

Windows

Accessories for one set:

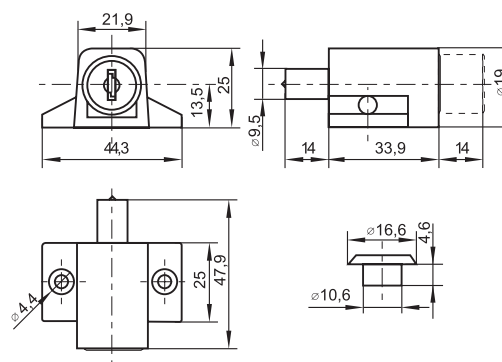
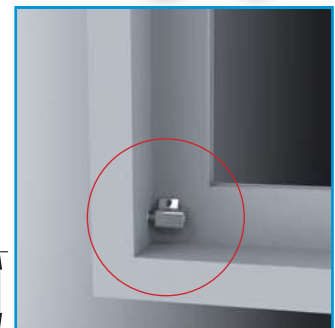
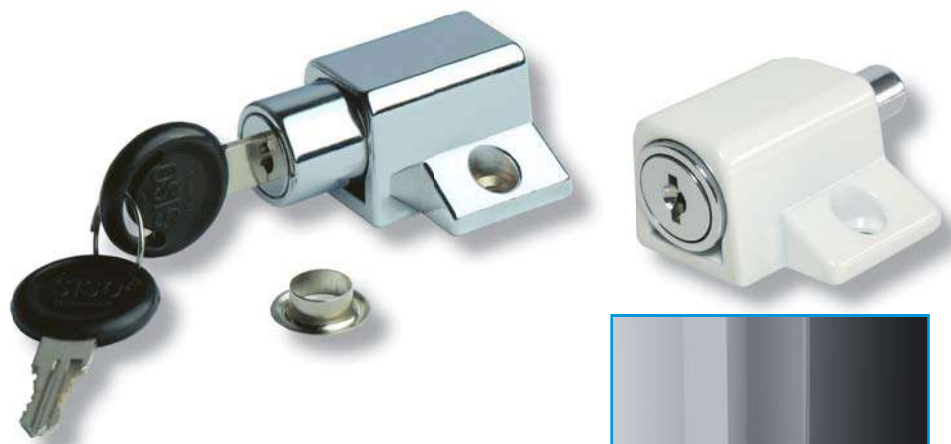
- 1 lock body
- 1 locking sleeve
- 2 SISO car keys

Function:

To close: push cylinder
To open: turn key

Specification:

Zamak lock body & cylinder
Steel sleeve & keys
400 key combinations
Master Key system available on request



14.03.001-0	9,02 лв
-------------	---------

Application:

For metal lockers & wooden cabinets
To be used with a padlock
Available in right & left hand version

One lock consists of:

- 1 lock cylinder
- 1 cam plate
- 1 hex nut
- 2 transparent PVC washers
- 1 spike metal washer



Specifications:

Turn knob & cylinder made of zamak
Cam, hex nut & washer made of steel
90° turn
F/Shackle size Ø5 - 7 mm - 16mm width
Chrome Pl. (CPL) or black anodized (BLK)

Packing:

20 pcs per box
200 pcs per export carton

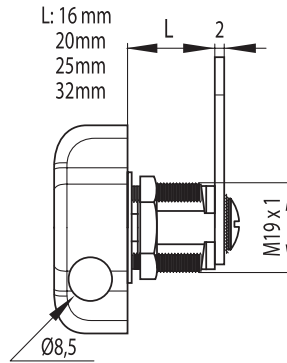
Item No.:

Right Hand version:

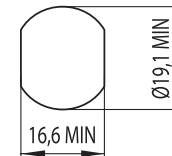
- Ø19 x 16 mm - CPL - Cam 12 # 14.04.585-0
- Ø19 x 20 mm - CPL - Cam 12 # 14.04.586-5
- Ø19 x 25 mm - CPL - Cam 12 # 14.04.587-4
- Ø19 x 25 mm - BLK - Cam 3 # 14.04.587-9
- Ø19 x 32 mm - CPL - Cam A02 # 14.04.589-5

Left Hand version:

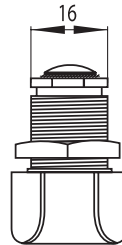
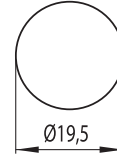
- Ø19 x 20 mm - CPL - Cam A02 # 14.04.586-9
- Ø19 x 25 mm - CPL - Cam A02 # 14.04.587-5
- Ø19 x 32 mm - CPL - Cam A02 # 14.04.589-7



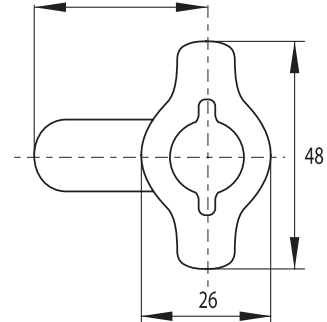
Standard fixing hole - metal



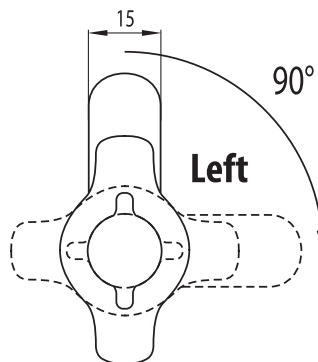
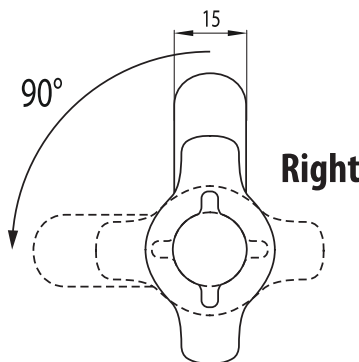
Fixing hole - wood



According to Cam model



14.04.587-5	CAM A02	7,91 лв
-------------	---------	---------



ANTI-TWIST PLATE F/PADLOCKABLE CAM LOCKS

Application:

For metal lockers

Material:

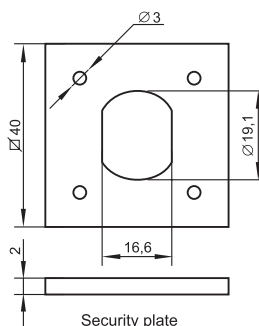
Hardened yellow zinc plated steel

Size:

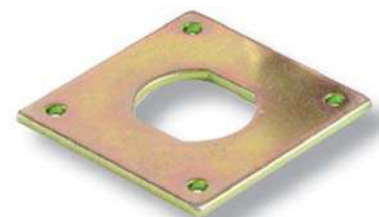
40 x 40 x 2 mm

Item No.:

14.04.584-1	0,65 лв
-------------	---------



Security plate



CENTRAL LOCK NO.851N - SIDE MOUNTED

Application:

Side mounted central lock on left or right side of the pedestal

Accessories for one set:

- 1 lock premounted aluminium locking bar 500, 600, 800 or 1200 mm Other lengths upon request
- 1 rosette
- 2 bar guides
- 3 adj. pegs 13 mm
- 2 SISO car keys
- 4 mounting screws

Function:

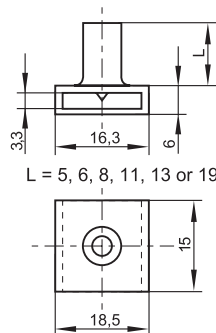
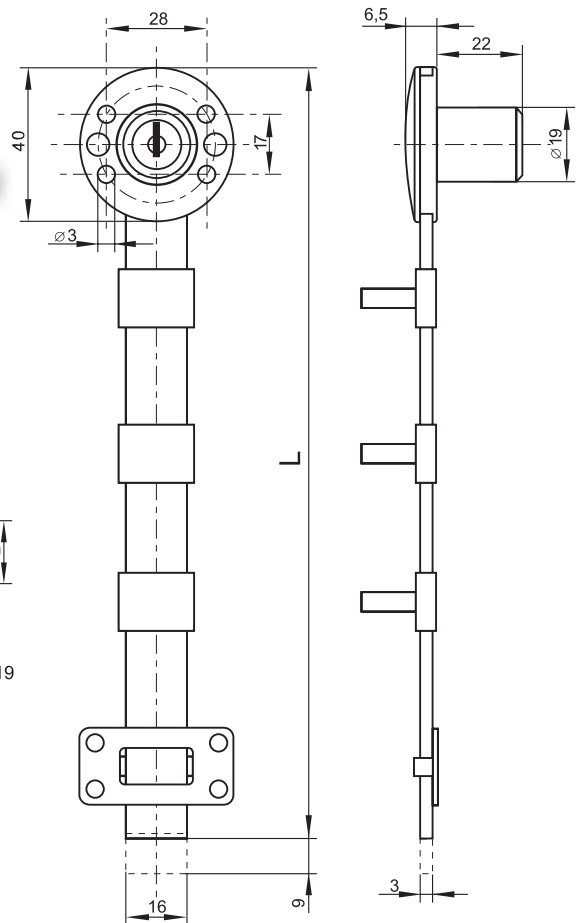
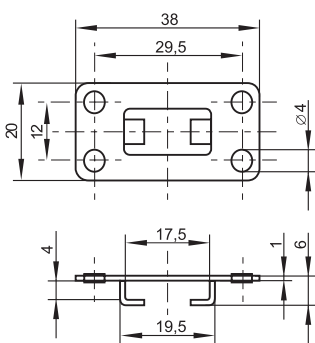
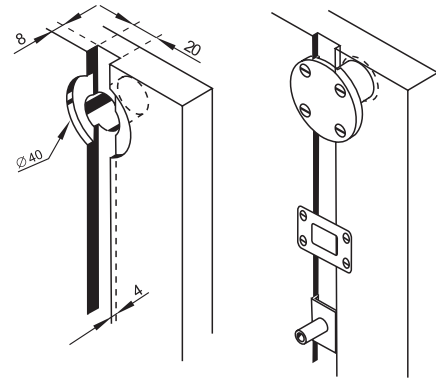
Turn key 180° locking bar moves down 9 mm to lock any numbers of drawers

Specification:

- Lock, pegs - zamak
- Locking bar - aluminium
- Rosette, keys, screws - steel
- Bar guides - steel
- 400 different key combinations
- Master key & Interchangeable system available on request

Option:

- Adjustable pegs 5, 6, 8, 11 or 19 mm available from stock



14.01.328-0	600 мм	13,38 лв
14.01.329-0	800 мм	11,77 лв
14.01.331-0	1 200 мм	13,99 лв

L = 500, 600, 800 or 1200 mm

Accessories for one set:

- 1 lock body
- 1 rosette
- 1 locking bar 500, 600, 700, 800
- 2 bar guides metal
- 3 adj. pegs 13 mm
- 2 SISO car keys

Function:

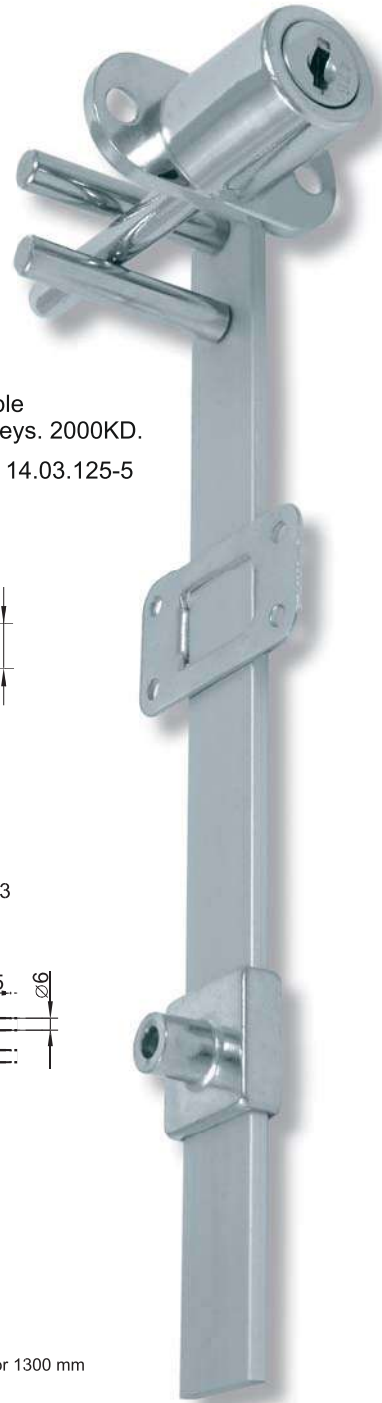
Turn key 180° the locking bar move up to block/lock any numbers of drawers

Specification:

Lock, pegs - zamak
 Locking bar - aluminium
 Rosette, key - steel
 400 key combinations
 Master key & Interchangeable system available on request

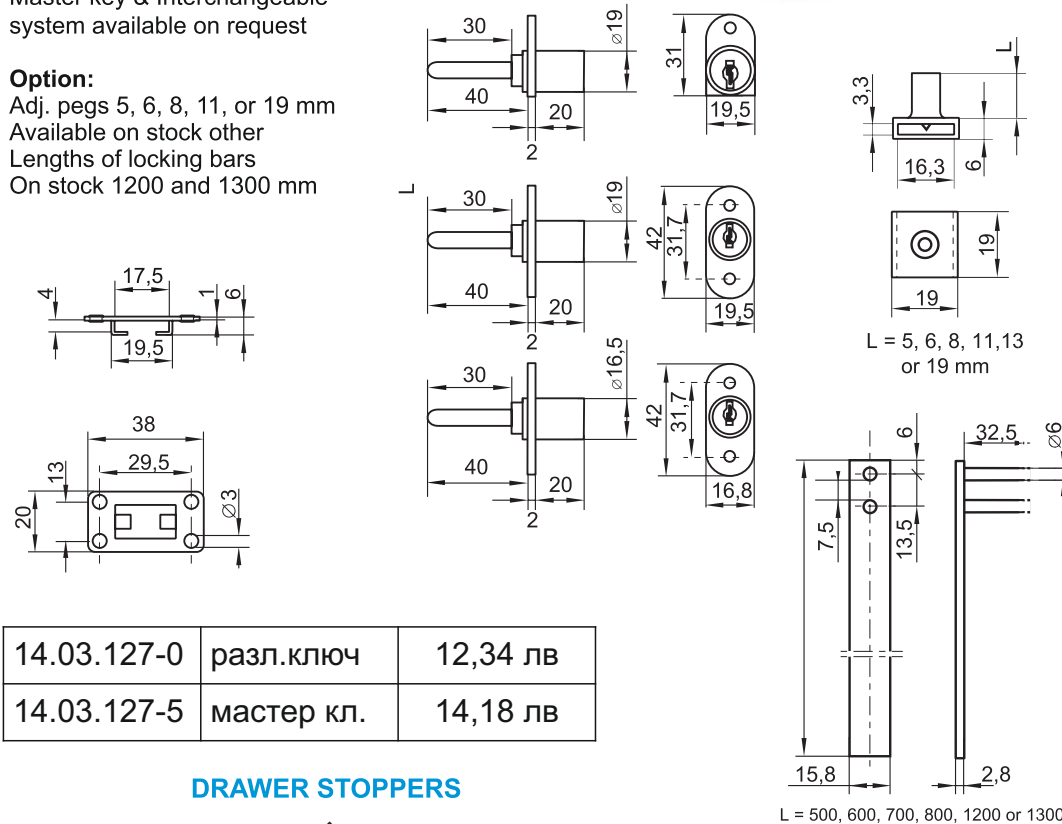
Option:

Adj. pegs 5, 6, 8, 11, or 19 mm
 Available on stock other
 Lengths of locking bars
 On stock 1200 and 1300 mm



Also available w/Tubular keys. 2000KD.

Item No.: # 14.03.125-5



14.03.127-0	разл.ключ	12,34 лв
14.03.127-5	мастер кл.	14,18 лв

DRAWER STOPPERS

OPTIONAL

Item No.: # 14.02.011

OPTIONAL

Item No.: # 14.02.030
1,90 лв

LEFT

CLOSED

OPTIONAL

14.02.010-0 0,54 лв

OPTIONAL

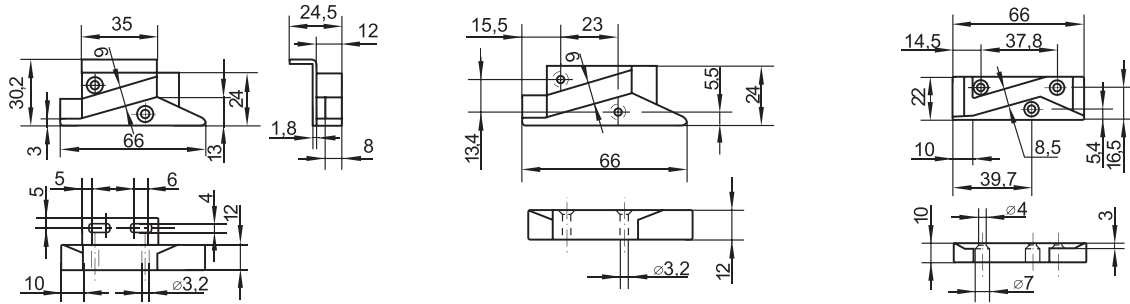
RIGHT

TO CLOSE

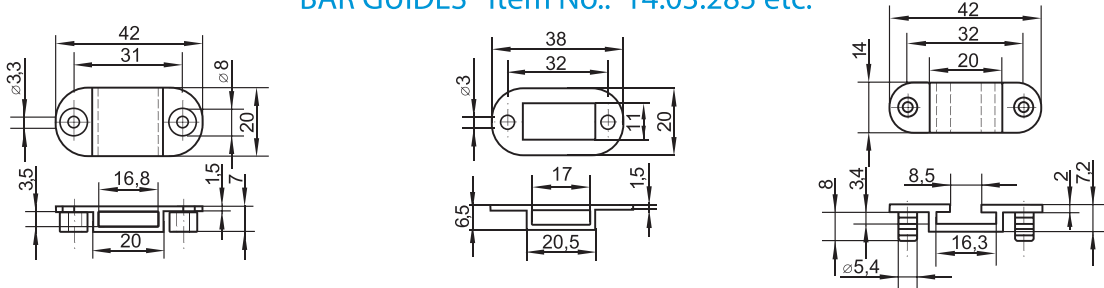
CENTRAL LOCK NO. 1018 - ANTITILT SOLUTION

Central lock No. 1018 as described and illustrated on separate page for this lock, but here on this page illustrated as a simple antitilt solution mainly applied on PEDESTALS. Illustrated below are special locking bar needed for this system and different accessories. Please advise all sizes: L, A, B, C to customize bars for you.

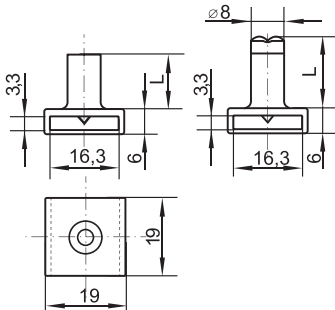
ANTITILT BLOCKS Item No.: 14.03.270 etc.



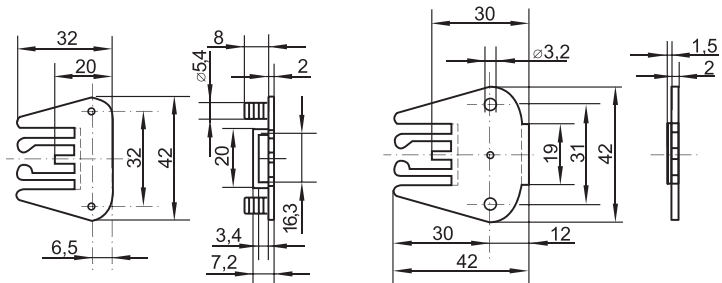
BAR GUIDES Item No.: 14.03.285 etc.



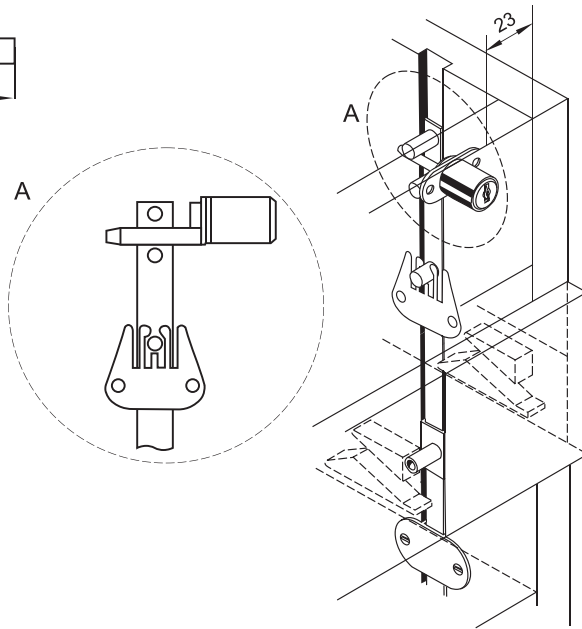
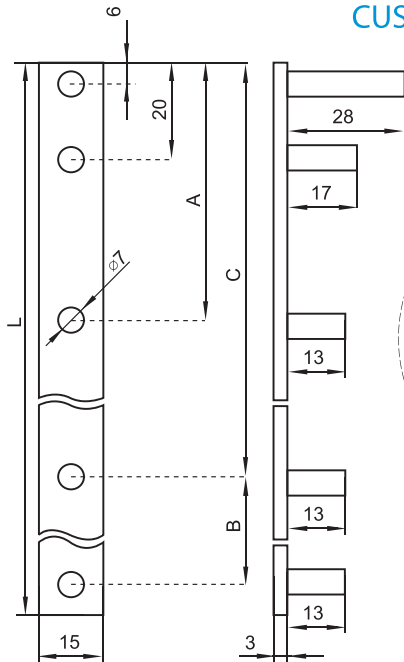
ADJUSTABLE PEGS Item No.: 14.04.309 etc.



CATCH GUIDES Item No.: 14.03.280 etc.



CUSTOM MADE LOCKING BARS



BOX LOCKS

backset

Universal for right/left or draw application

Finish:

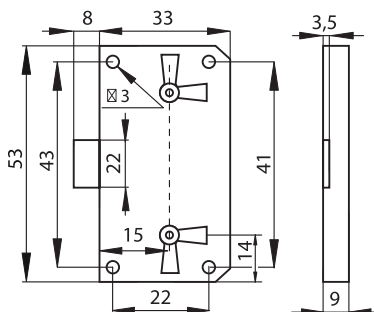
Nickel, brass or bronze plated

Locking system:

For eurobit key - 1 lever key
no differs

Packing:

40 pcs per box
400 pcs per carton



Item No.: # 14.06.212

Bit size



BOX LOCK No. 2110 - 20 mm

backset

Universal for right/left or draw application

Finish:

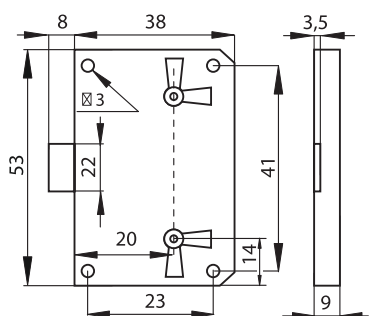
Nickel, brass or bronze plated

Locking system:

For eurobit key - 1 lever key
no differs

Packing:

40 pcs per box
400 pcs per carton



Item No.: # 14.06.215

Bit size



14.06.216-0

никел

4,86 лв

BOX LOCK No. 2110 - 25 mm

backset

Universal for right/left or draw application

Finish:

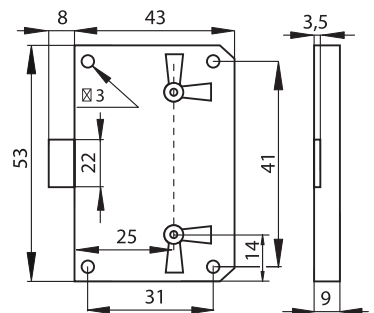
Nickel, brass or bronze plated

Locking system:

For eurobit key - 1 lever key
no differs

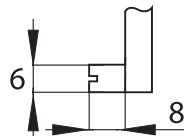
Packing:

40 pcs per box
400 pcs per carton



Item No.: # 14.06.235

Bit size



14.06.235-1

никел

4,86 лв

14.06.237-0

бронз

6,48 лв

BOX LOCK No. 2110 - 30 mm

backset

Universal for right/left or draw application

Finish:

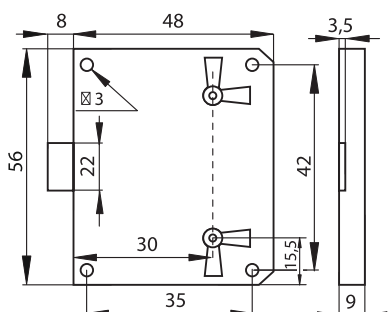
Nickel, brass or bronze plated

Locking system:

For eurobit key - 1 lever key
no differs

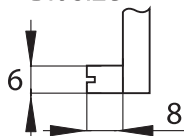
Packing:

30 pcs per box
300 pcs per carton



Item No.: # 14.06.245

Bit size



14.06.246-0

бронз

6,48 лв

Application:

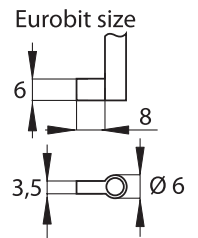
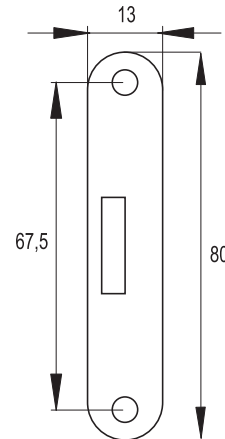
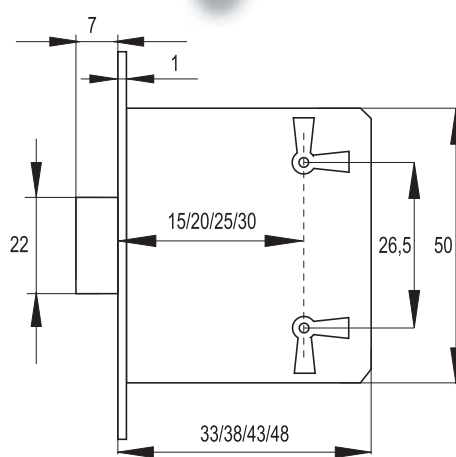
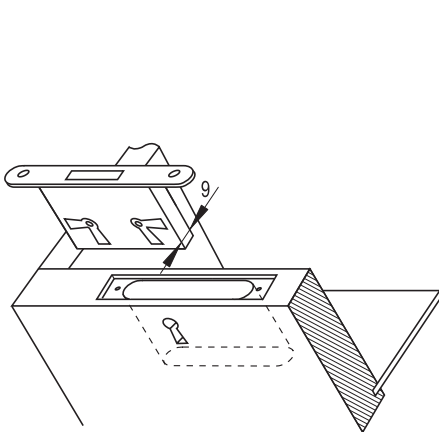
Universal left, right and draw

Specification:

For eurobit key - 1 lever key
 Lock made of plain steel
 Rounded front plate made of brass
 Key alike
 From 15 to 30 mm backset



14.06.029-0	20 мм	5,40 лв
-------------	-------	---------



MORTISE CHEST LOCKS

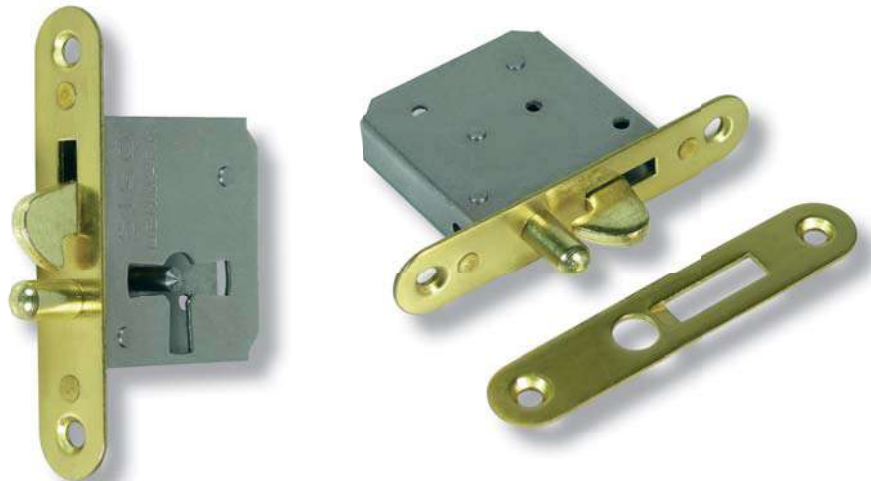
MORTISE CHEST LOCK
 - 20 mm backset

Function:

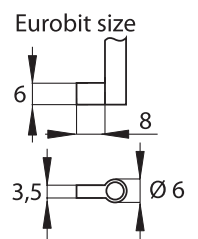
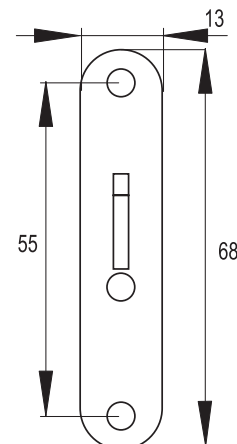
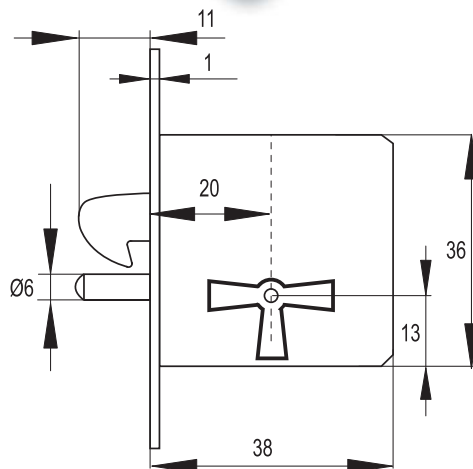
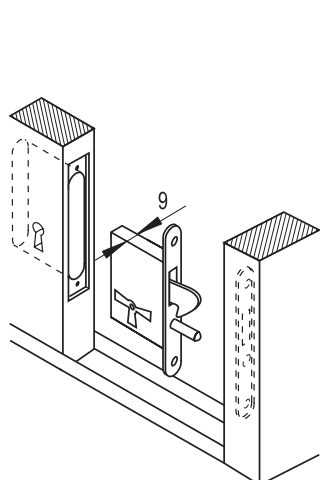
Right hand and draw position
 Front plate + striking plate brass rounded
 Lock body steel plain

Locking system:

For eurobit key - 1 lever key
 Key alike



14.06.064-0	7,02 лв
-------------	---------



Application:

Wardrobes, lockers, cabinets and others

Accessories one set:

- 1 lock right or left handed 16,5 or 19 mm cyl. diam
- 1 rosette
- 2 SISO car keys
- 2 hooks and holders top and bottom
- 2 bar guides
- 2 stoppers either eccentric or triangular

Locking bars to be ordered separately
Available in lengths of 1000, 1200, 1500 and 2000 mm in nickel plated, brass plated and bronze plated

Function:

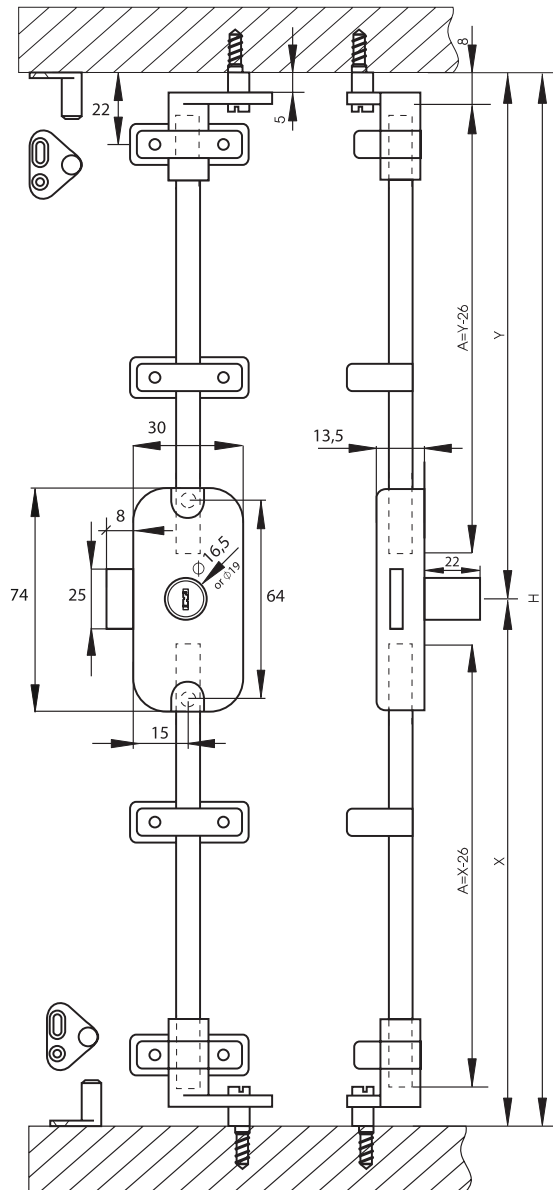
Turn key and locking bars will rotate. Hooks will move behind the stops. Cam extend from the lock case and door will be locked at 3 points

Specification:

- 400 different key combinations or key alike
- 15 mm backset
- 25 mm backset on request
- Master key & Interchangeable system available on request

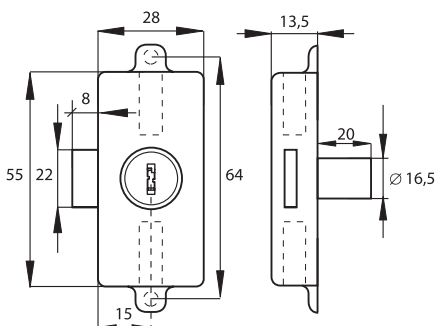
Finish:

- Zamak body in nickel plated, aluminium finish or black zinc
- Plastic body in burgundy or black



14.05.271-0		16,20 лв
14.05.720-3	рамо 1 м	4,54 лв
14.05.735-0	рамо 2 м	15,77 лв

LOCK NO. H-922
Item No.: # 14.05.284 etc.



Application:

Wardrobes/cabinets

Accessories one set:

- 1 lock case
- 2 hooks top/bottom
- 2 bar guides
- 2 eccentric stops

Keys & locking bars to be ordered separately. Bars available in lengths of 1000, 1200, 1500 and 2000 mm in nickel plated, brass plated and bronze plated

Function:

Turn key and locking bars will rotate to make hooks fastened behind the stops cam extend from the lock case and locking at 3 points of the door

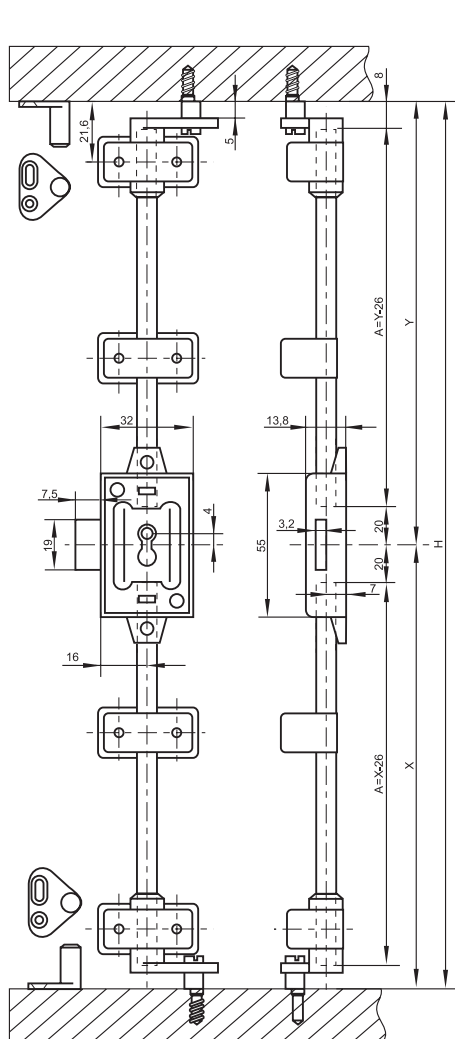
Universal right/left hand of the door

Optional:

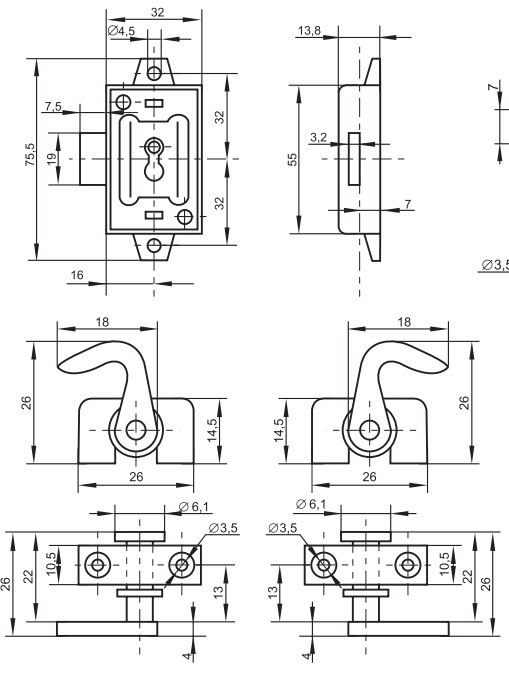
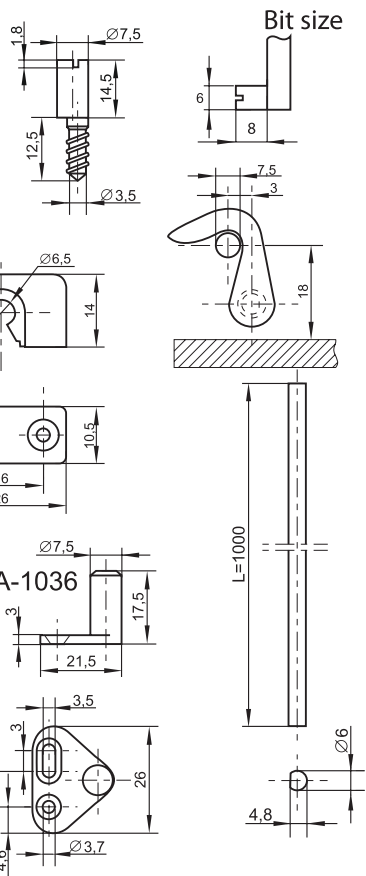
Stoppers on triangular plate A-1036

Finish:

Zamak body in nickel plated, brass plated or bronze plated
Plastic body in brown colour



14.05.312-1	бронз	14,58 лв
14.05.724-0	рамо 1 м.	5,40 лв



Application:

Heave duty drawers, windows doors, wardrobes and cabinets

Accessories one set:

- 1 lock $\varnothing 19 \times 22$ mm
- 1 rosette
- 4 bar guides
- 2 sockets
- 2 SISO car keys

Locking bars to be ordered separately
Available in lenghts of 1000, 1200 and 2000 mm in nickel plated

Option:

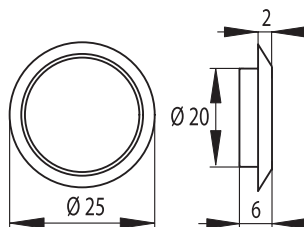
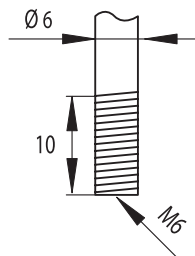
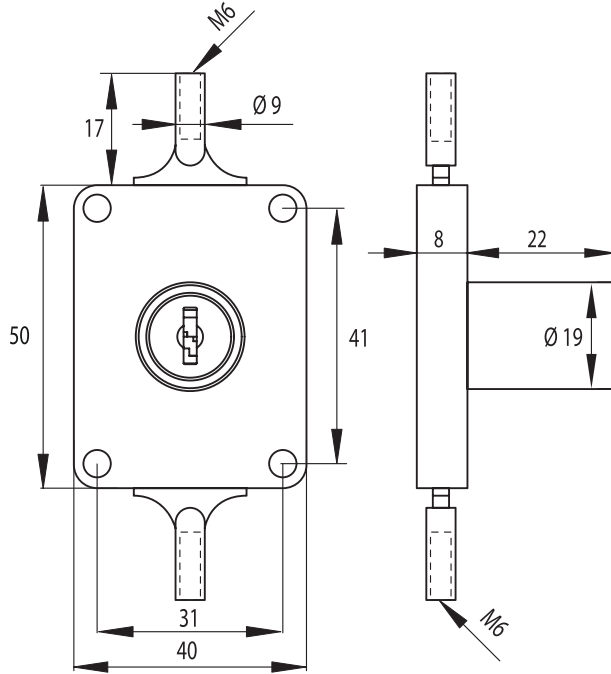
16,5 mm cyl. diam. and longer cyl. lenghts

Function:

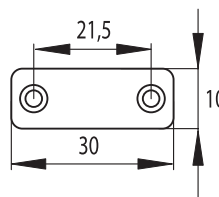
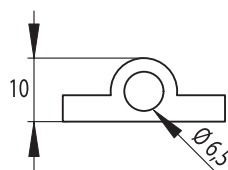
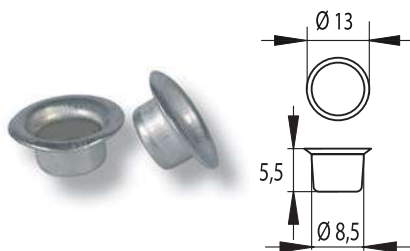
Turn key 180° and locking bars extend up and down 9 mm to lock and unlock

Specification:

400 different key combinations or kay alike
Locking bars available in 1000, 1200, 2000 mm lenghts from stock
Other lenghts upon request
Master Key system available on request

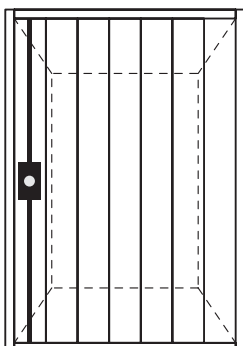


14.05.300-1	никел	19,44 лв
14.05.670-1	рамо 1 м	5,60 лв

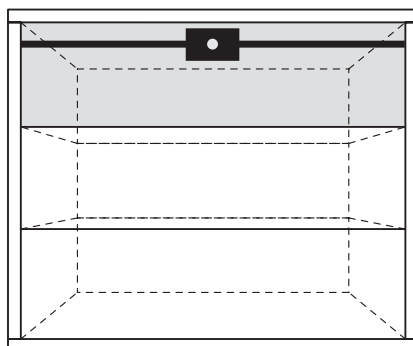


Application

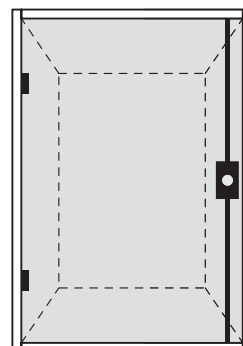
Shutter doors



Heavy duty drawers



Wardrobes



PASQUIL CABINET LOCK 844

Black coated

14.05.551-0	черно	38,88 лв
14.05.560-5	рамо 1,5 м	6,18 лв

Description:

Pasquil cabinet lock 844
out bar but accessories

Finish:

Black coated
or antique bronze, YZP for locking bar

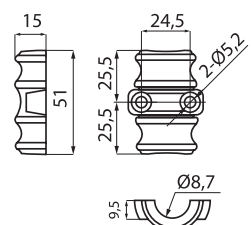
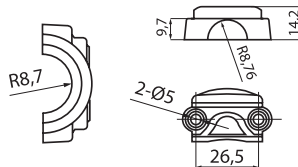
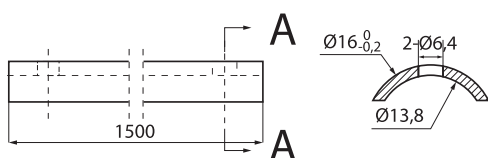
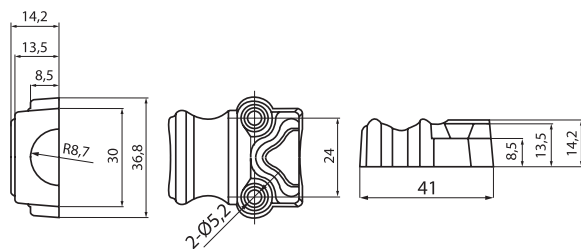
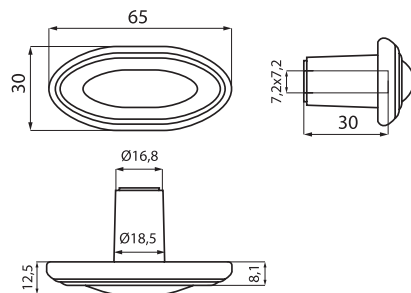
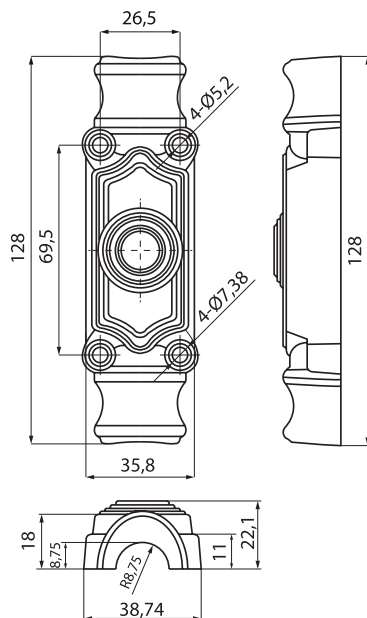


Antique bronze

14.05.550-0	бронз	38,88 лв
14.05.560-0	рамо 1,5 м	7,30 лв



Yellow zinc plated



CAM LOCK NO.X-44 F/METAL FURNITURE

Application:

Steel drawers, cabinets, lockers
Snap in fixing
Maximum panel thickness 2 mm

Accessories for one set:

1 lock
1 cam No. 27
2 SISO car keys

Function:

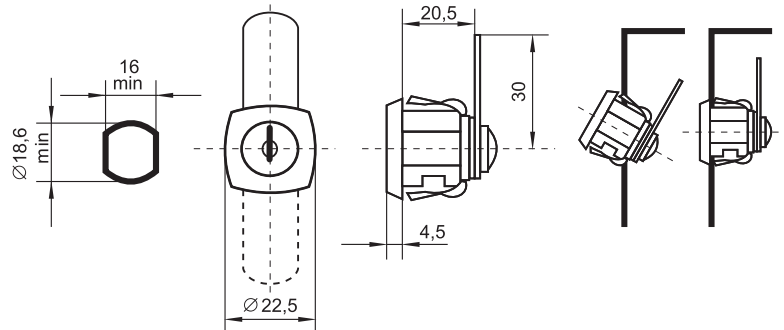
Turn key 90° or 180° to lock/unlock

Option:

Other cam style/size
Other rotation angle

Specification:

Zamak lock body & cylinder
Steel spring clip, cam & keys
400 key combinations
Master Key system available on request



14.08.070-0	4,86 лв
-------------	---------

CENTRAL LOCK NO.44D F/METAL FURNITURE

Application:

Multi drawer pedestal
Filing cabinets
Snap in fixing
Maximum panel thickness 2 mm

Accessories for one set:

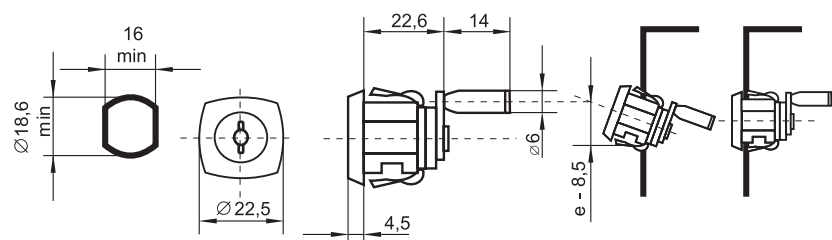
1 lock
2 SISO car keys

Function:

Turn key 180° to move self made locking bar to lock/unlock any number of drawers

Specification:

Zamak lock body & cylinder
Steel spring clip, cam & keys
400 key combinations
Master Key system available on request



14.08.090-1	7,24 лв
-------------	---------

Application:

Steel cabinets, lockers, wardrobes, vehicles

Accessories for one set:

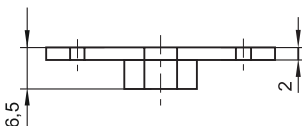
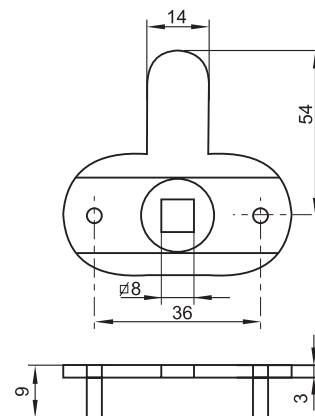
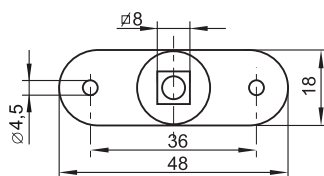
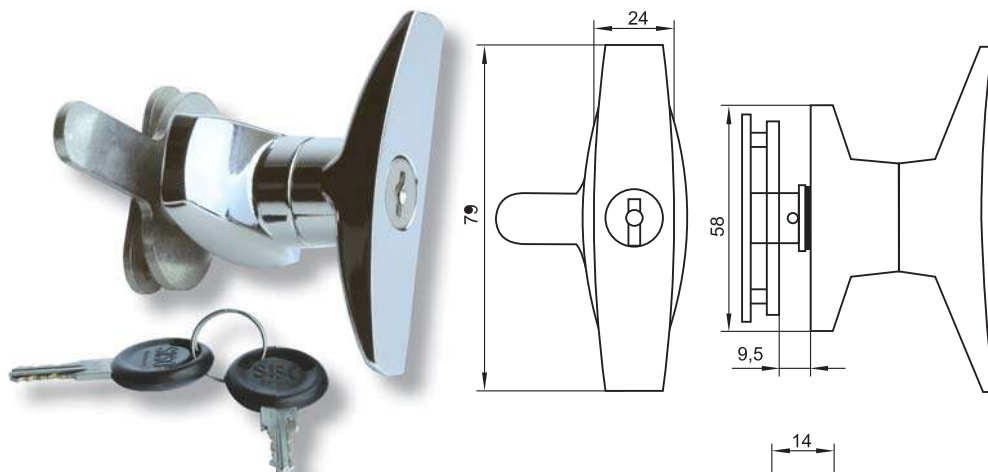
- 1 lock handle
- 1 cam plate
- 1 back plate
- 2 SISO car keys
- Mounting screws

Function:

Turn handle 90° to lock/open.
turn key to lock handle in closed position
Can be applied self made pasquil bars for 3-way locking

Specification:

Zamak lock body, handle & cylinder
Steel cam & keys
400 key combinations or key alike
Master Key system available on request



14.08.055-1	10,80 лв
-------------	----------

T-HANDLE NO. 177

Application:

Steel cabinets, lockers, wardrobes, vehicles

Accessories for one set:

- 1 lock handle
- 2 SISO car keys

Function:

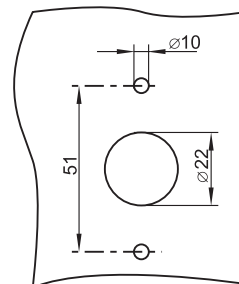
Turn handle 90° To lock/open.
Turn key to lock handle in closed position
Can be applied self made pasquil bars for 3-way locking

Specification:

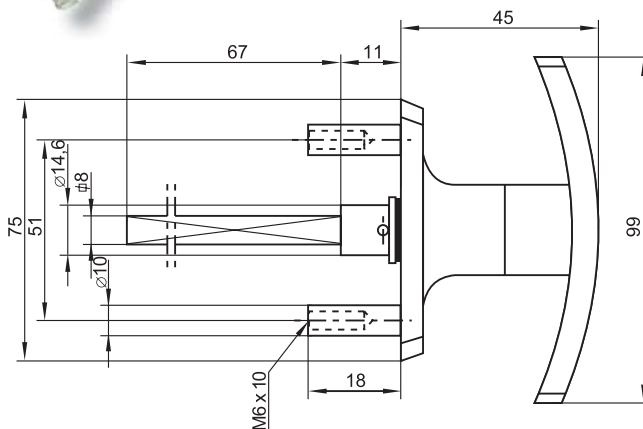
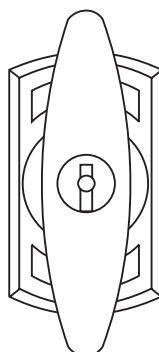
Zamak lock body, handle & cylinder
Steel cam & keys
400 key combinations or key alike
Master Key system available on request



CONCEALED FIXING



FIXING HOLE SIZES



14.08.057-0	11,66 лв
-------------	----------

Application:

Steel cabinets, lockers,
wardrobes, vehicles

Accessories for one set:

- 1 lock handle
- 1 cam plate
- 1 back plate
- 2 SISO car keys
- Mounting screws

Function:

Turn handle 90° to lock/open,
turn key to lock handle
in closed position

Can be applied for 3-way locking
self made pasquil bars

Specification:

- Zamak lock body, handle & cylinder
- Steel cam & keys
- 400 key combinations
- Master Key system available
on request

Finish:

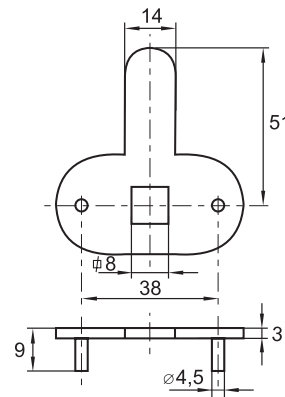
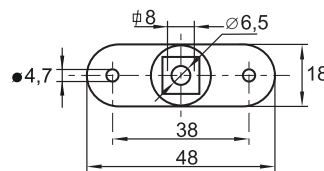
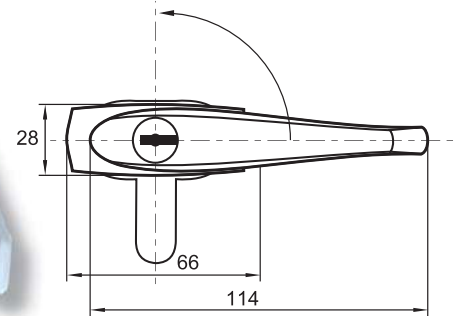
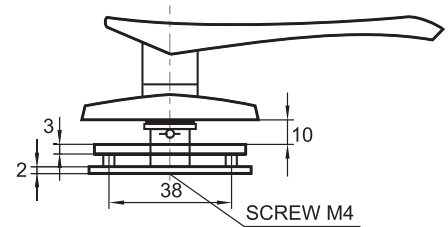
Chrome plated

Packing:

- 8 pcs per box
- 96 pcs per export carton

Item No.:

- Key to differ # 14.08.036
- Key alike # 14.08.037



LOCKER HANDLE NO. 8813

Application:

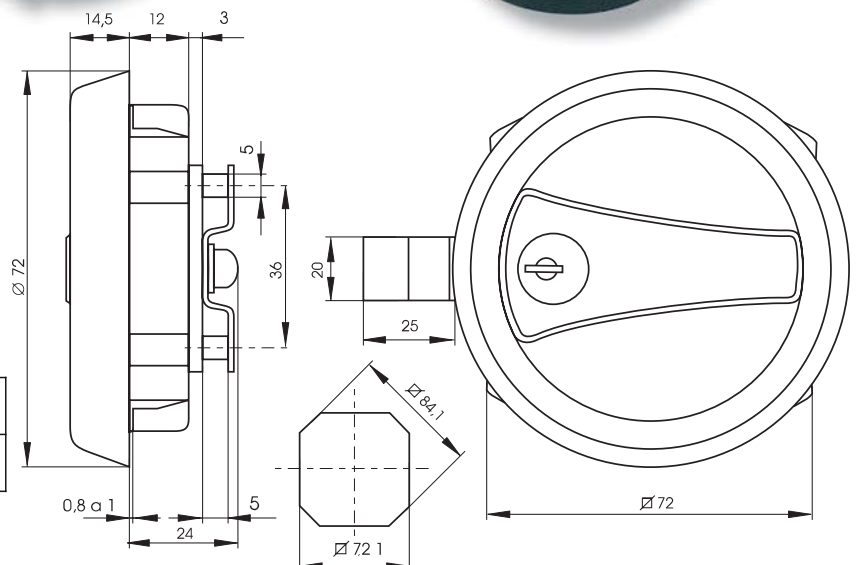
Steel cabinets, lockers
and wardrobes
Easy snap on mounting
No screws required

Function:

Turn handle 90° to lock/open
Turn key to lock handle
when in closed position
Can be applied self made
Pasquil bars as 3-way locking
system

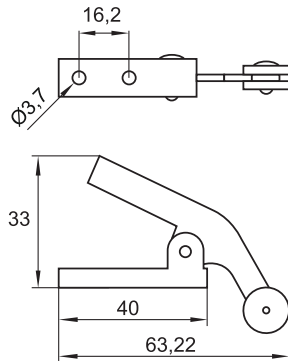
Specification:

- Black plastic house
- Zamak handle and lock
- Keys, cam - steel
- 400 key combinations or key alike
- Master Key system available
on request

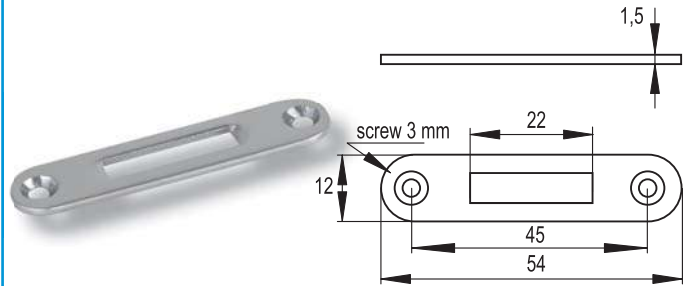


14.08.021-0		14,58 лв
14.08.022-0	едн. ключ	14,58 лв

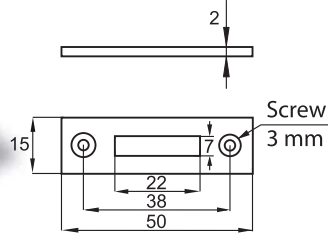
No. # 22.01.019
Automatic Hook Latch
 for double door use



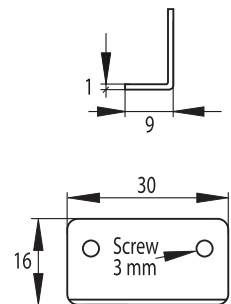
No. # 14.01.472



No. # 14.01.510-1 - 0,45 лв
Flat Striking Plate
 for Lock 850/855/853

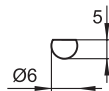


No. # 14.01.064-0 - 0,38 лв
L-Shape Striking Plate
 for Lock 850



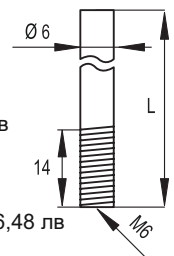
Locking Bars
 for Espagnolette Locks

- # 14.05.720 1000 mm Nickel Plated - 4,54 лв
- # 14.05.723 1000 mm Brass Plated
- # 14.05.724 1000 mm Bronze Plated - 5,40 лв
- 14.05.676 1200 mm Bronze Plated - 6,70 лв
- # 14.05.729 1500 mm Nickel Plated - 6,80 лв
- # 14.05.730 1500 mm Bronze Plated
- # 14.05.735 2000 mm Nickel Plated

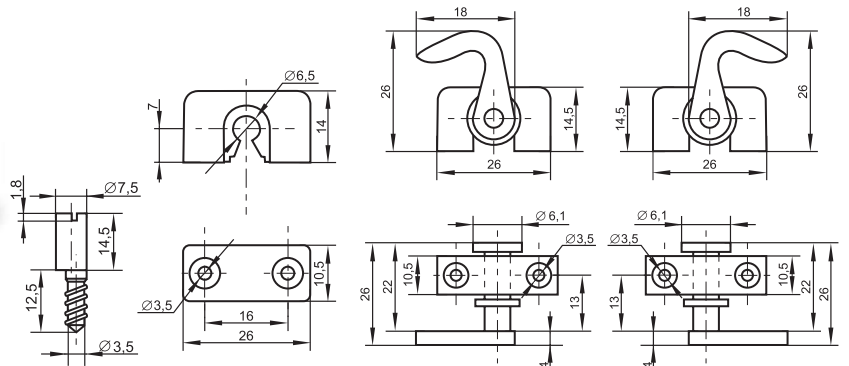


Locking Bars
 for Lock 7080

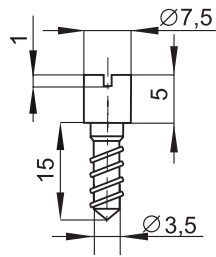
- # 14.05.670 1000 mm Nickel Plated - 5,60 лв
- # 14.05.671 1200 mm Nickel Plated
- # 14.05.675 2000 mm Nickel Plated
- 14.05.726 1000 mm Nickel Plated double - 6,48 лв



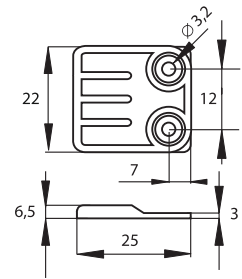
No. # 14.05.740
Accessories:
 for Espagnolette Lock
Nickel Plated



No. # 14.05.875
Screw On Stop
 centric 5 mm height head

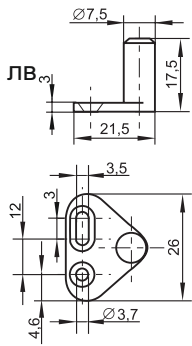


No. # 14.05.890
Door Stops 22 x 25 mm
 brown plastic used
 in connection
 Espagnolette Locks

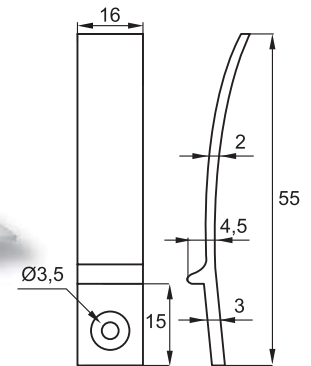


Triangular Locking Bolt
 for Espagnolette Lock

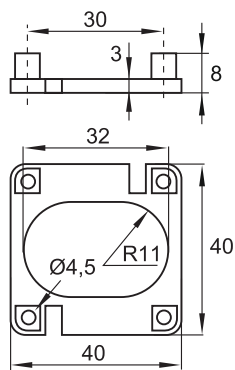
No. # 14.05.745 Nickel Plated
No. # 14.05.746 Bronze Plated - 0,83 лв.



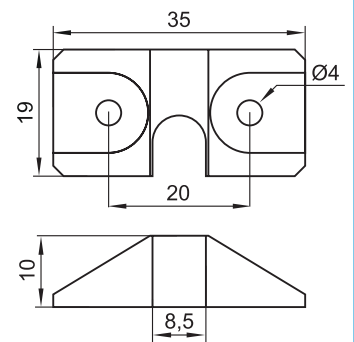
Plastic Drawer Stop
No. # 14.02.000



No. # 14.01.091
Plastic Spacer
 for Lock 850
 Transparent Colour

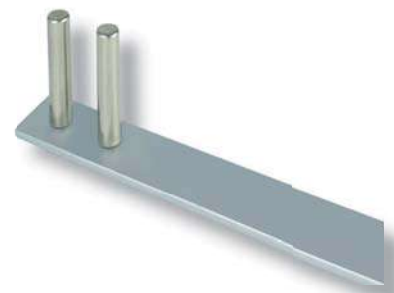
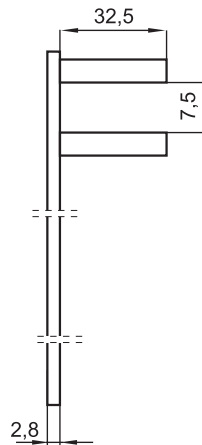
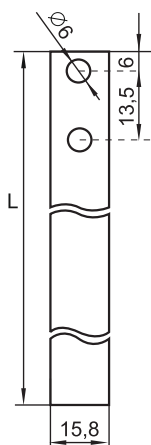


No. # 14.02.010 - 0,54 лв
Plastic Drawer Stop
 for Central Locks
Black cc 20 mm

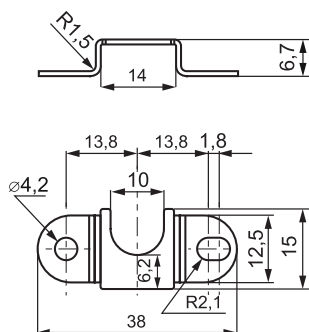


Locking Bar
 for Lock 1018

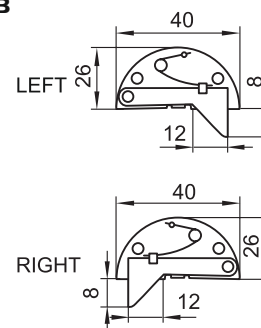
- # 14.04.181 L - 500 mm
- # 14.04.185 L - 600 mm - 4,86 лв
- # 14.04.190 L - 700 mm
- # 14.04.200 L - 800 mm
- # 14.04.221 L - 1200 mm - 9,12 лв
- # 14.04.230 L - 1300 mm



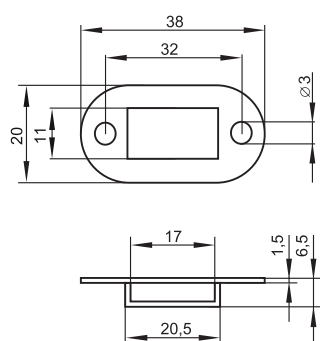
No. # 14.02.011
Metal Drawer Stop
for Central Locks
on metal furniture



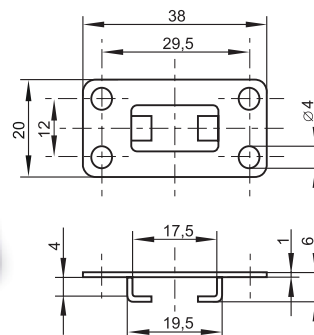
Drawer Stop 913 - A -1,90 лв
No. # 14.02.030 Left Hand
No. # 14.02.020 Right Hand



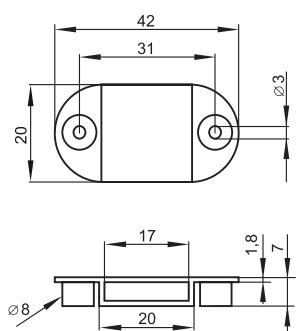
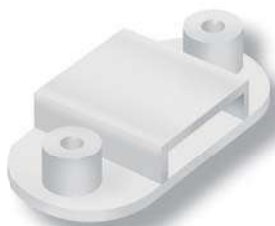
No. # 14.04.089
Plastic Bar Guide
holder for locking bars



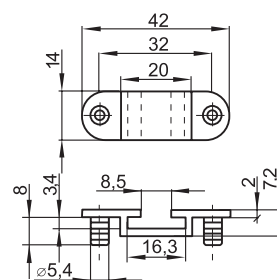
No. # 14.04.091 - 0,40 лв
Metal Bar Guide
holder for locking bars



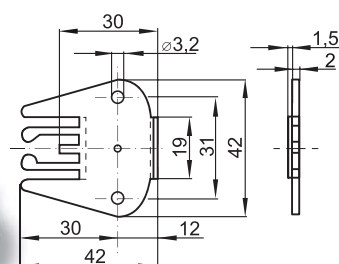
No. # 14.03.285
Plastic Bar Guide
for lay on locking bars



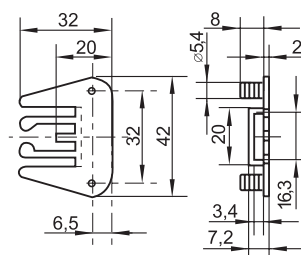
No. # 14.03.286
Plastic bar guide
dark grey
for locking bars



No. # 14.03.280
Plastic Bar Catch
Lyra Shaped Model 1027



No. # 14.03.281
Plastic bar catch
dark grey
Lyra shaped model 1030

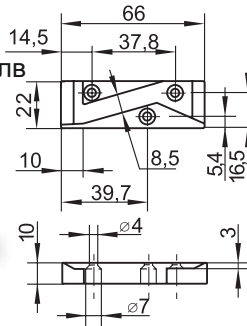


LOCK ACCESSORIES

Antitilt Block Plastic Black

Model 1018.030

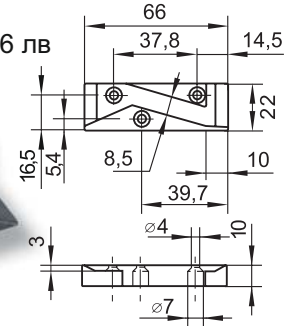
No. # 14.03.270 Right Hand - 3,53 лв



Antitilt Block Plastic Black

Model 1018.030

No. # 14.03.271 Left Hand - 2,76 лв



Adjustable Peg

premounted screw

14.04.309 L - 5 mm

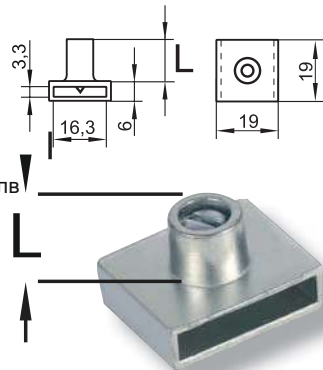
14.04.312 L - 6 mm

14.04.310 L - 8 mm - 0,60 лв

14.04.320 L - 11 mm

14.04.330 L - 13 mm

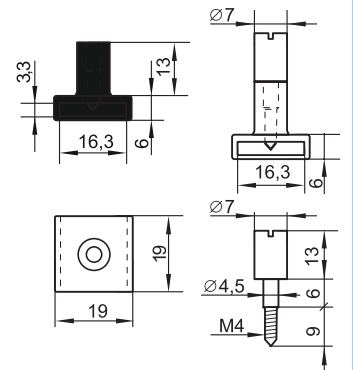
14.04.350 L - 19 mm



Prolongation Screw 13 mm

for adj. peg. L - 13 mm

No. # 14.04.421



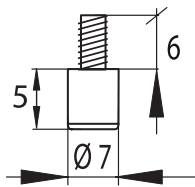
Prolongation Screw

for Push Lock 1003 and 1004

No.: 5 mm # 14.04.418 - 0,82 лв

10 mm # 14.04.419

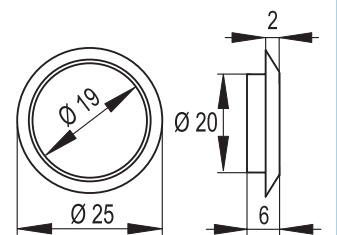
20 mm # 14.04.420



Rosette - 19 mm

Nickel Plated

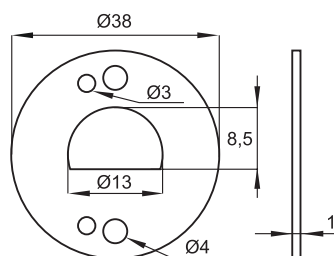
No. # 14.04.300 - 0,47 лв



Metal Washer

for Lock 689

No. # 14.09.155

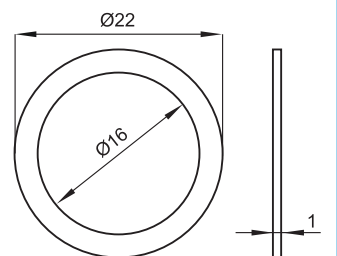


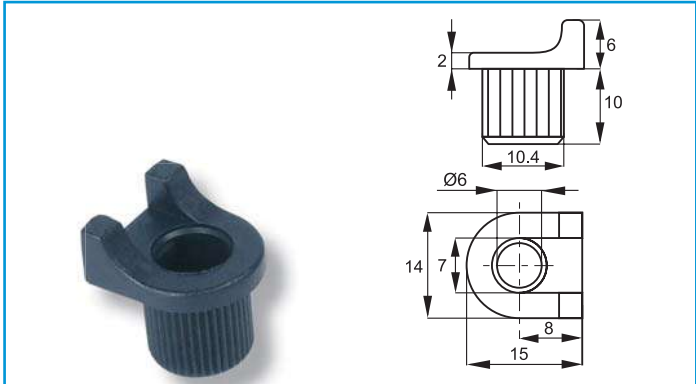
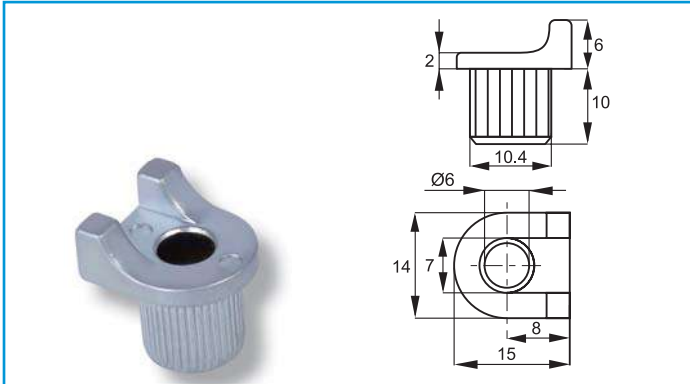
Transparent Washer

OD: 22 mm, ID: 16 mm

thickness - 1 mm

No. # 14.09.301





Blank Snake Car Key
No. # 14.04.112 - 2,16 лв



Blank Hinged Car Key
FN2 KEYWAY
No. # 14.04.103 - 1,03 лв



Blank Metal Key
for YALE KEYWAY
Profile Cylinders
No. # 14.04.094



Blank Metal Key
for FAB KEYWAY
Profile Cylinders
No. # 14.04.093



Blank Metal Key
round shape FN2 KEYWAY
No. # 14.04.099



Blank Car Key
single entry F01 KEYWAY
No. # 14.04.102



Loose Cylinders F/System
J#11 & J#12.
All W/SISO Hinged Car Keys.
Key to Differ or Key Alike
No. # 14.03.801 - 14.04.067



Loose Cylinders
F/System #01
All with SISO Snake Keys
Key to differ for Key Alike
No.: # 14.03.300 ect.



Blank Car Key

double entry FN2 KEYWAY
NEW

No. # 14.04.106 - 1,03 лв



Master key

F/System #J11 & #J12

No.

#J11 # 14.04.119 - 2,11 лв

#J12 # 14.04.123 - 2,11 лв



Blank metal Key

F/cam lock 1216.

No. # 14.04.092



Interchangeable key

F/System #J11 & #J12

No.

#J11 # 14.04.127

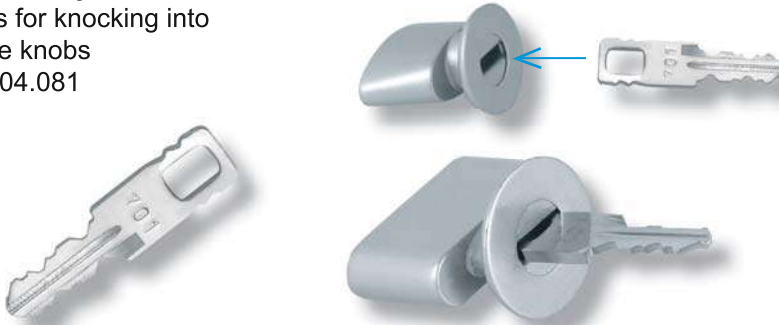
#J12 # 14.04.129



Short Metal Key

harpoons for knocking into
decorative knobs

No. # 14.04.081



Key Knob

Zamak

Matt Chrome Finish

No. # 14.04.080



SQUARE ROSETTES

Application:

These square rosettes can be used for locks like model: 850, 1018, 1003, Espagnolette locks etc.

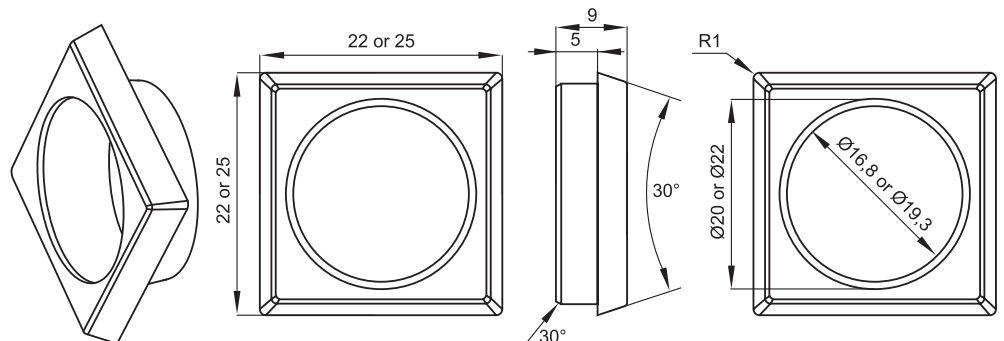
Specifications:

For cylinder $\varnothing 16,5$ and $\varnothing 19$ mm
Size: 22 x 22 mm or 25 x 25 mm
9 mm height

Finish:

Aluminium finish & nickel plated

Item No.:



MODEL „AUDIO“

Finish:

Plastic black # 14.09.256

Application:

Hinged glass doors
particularly for audio/hi-fi cabinets
No boring required

Accessories for one set:

- 1 lock
- 1 washer
- 2 screws
- 2 keys

Function:

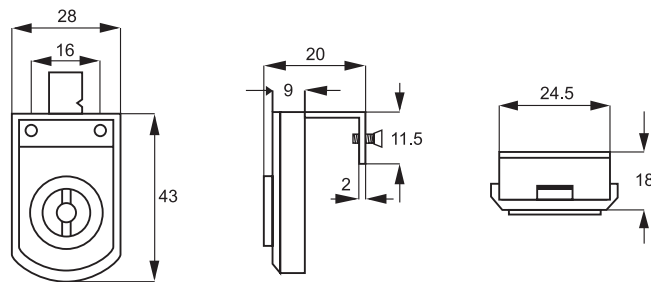
Turn key 180°
to lock or unlock

Specification:

Plastic/metal combination
one key change only

Packing:

500 pcs per export carton



GLASS DOOR LOCK VITRIO - HINGED DOORS

MODEL „VITRIO“

Finish:

- Chrome plated # 14.09.350
- Alu finish # 14.09.352
- Gold plated # 14.09.353
- Black anodized # 14.09.351
- Brass plated # 14.09.360

Application:

Double hinged glass doors
Accessories for one set

A) left door

- 1 decorative cylinder
- 1 stainless steel front plate
- 1 hexagonal nut
- 1 plastic washer

B) right door

- 1 off-set hook cam
- 1 stainless steel front plate
- 1 hexagonal nut
- 1 plastic washer
- 2 car keys

Function:

Turn key 90° to lock
or unlock

Specification:

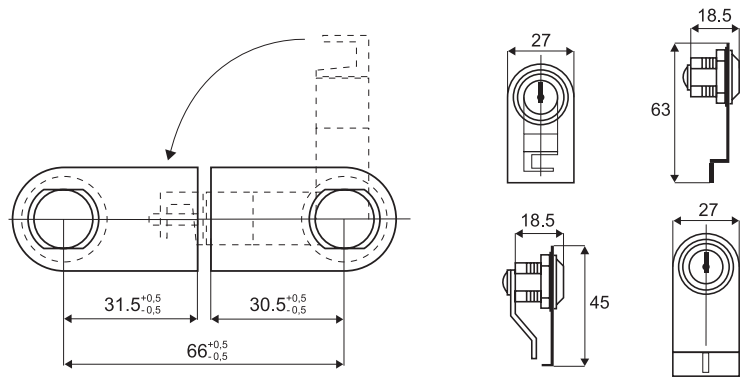
Cylinder zamak
front plates stainless steel
400 key combinations or key alike

Option:

Master key system

Packing:

300 pcs per export carton
25 pcs per box



GLASS DOOR LOCK NO.689 SINGLE DOOR, HINGED

14.09.130-1	хром	14,58 лв
14.09.131-1	мат	14,58 лв
14.09.132-0	алуминий	14,58 лв
14.09.133-5	едн.ключ алум.	14,58 лв
14.09.134-0	месинг	14,58 лв
14.09.125-5	едн.ключ хром	14,58 лв
14.09.126-1	едн.ключ мат	14,58 лв



Application:

Glass hinged doors 4-6 mm
Bore: Ø 26 mm

Accessories for one set:

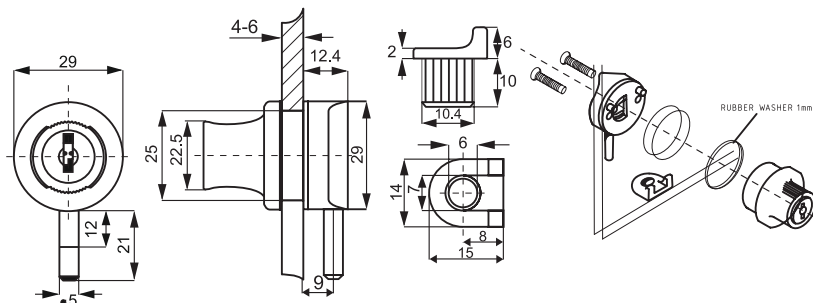
- 1 cylinder lock
- 5 plastic washer
- 1 zamak stopper
- 2 car keys, double entry

Function:

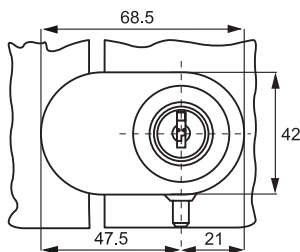
Turn key 180° to lock
or unlock - w/click sound

Specification:

Zamak
400 key combinations or key alike
Master key & Interchangeable
system available on request



14.09.170-0	хром	6,48 лв
14.09.171-0	мат	6,48 лв
14.09.172-0	алуминий	6,48 лв



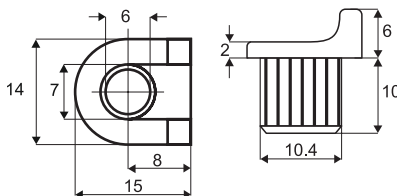
DOOR STOPPER

DOOR STOPPER w/hole

Finish: black plastic# 14.09.118

Application: inset glass door hinged

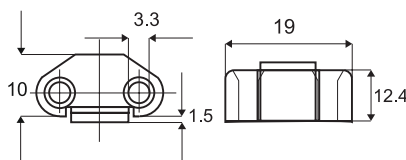
Recommended to use locks X-689 and 910 (as a stopper and striking plate)



DOOR STOPPER w/bumper

Finish: black plastic# 14.09.105

Application: glass door hinged
Recommended to use lock 0914



MODEL #910

Finish:

Chrome plated # 14.09.108

Application:

Glass hinged doors 4-6 mm
Bore Ø 25 mm

Accessories for one set:

1 cylinder lock
5 washer (plastic & rubber)
2 metal keys, double entry

Function:

Turn key 180° to lock or unlock
- w/click sound

Specification:

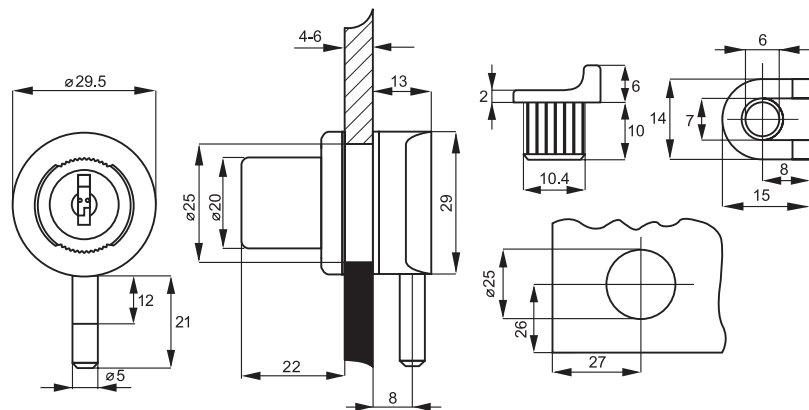
Zamak
400 key combinations or key alike
Master key & Interchangeable
system available on request

Options:

Master key and
interchangeable system

Packing:

240 pcs per export carton



GLASS DOOR LOCK MODEL "SAFE" SINGLE DOOR, HINGED

MODEL „SAFE“

Finish:

Chrome plated # 14.09.320

Application:

Single glass door, hinged
Bore Ø 19 mm

Accessories for one set:

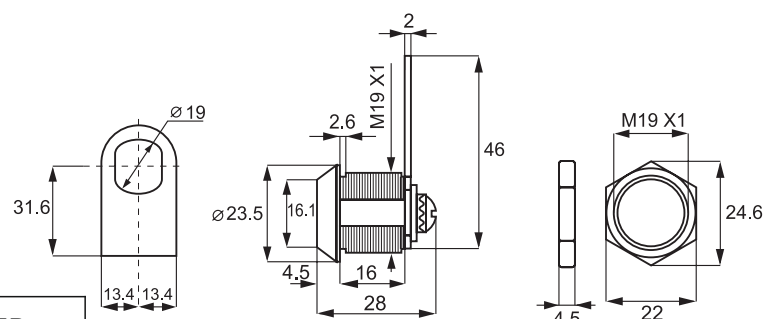
1 cam lock
1 hexagonal nut
1 plastic washer
1 straight cam
1 front plate
1 flat striking plate
2 car keys, double entry

Function:

Turn key 90°
to lock or unlock - w/click sound

Specification:

Zamak
400 key combinations or key alike
Master key & Interchangeable
system available on request



14.09.321-0	едн.ключ	6,48 лв
-------------	----------	---------

GLASS DOOR LOCK NO. 907, SLIDING DOORS

MODEL X-907

14.09.417-5	едн.ключ	10,26 лв
14.09.417-0	разл.ключ	10,26 лв

Application:

Glass sliding doors

Accessories:

- 1 lock
- 2 car keys, double entry
- 2 transparent washers

Function:

Push and turn key
90° to lock or unlock

Specification:

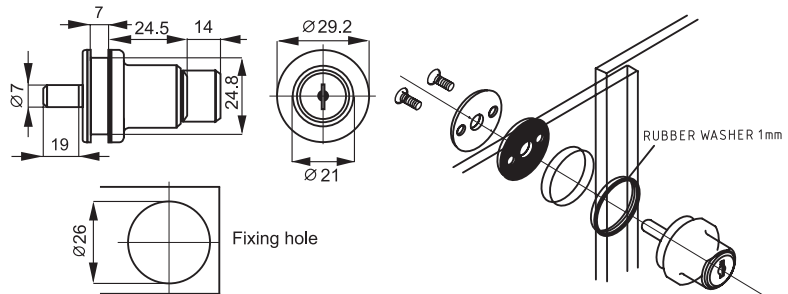
Zamak
400 key combinations or key alike
Master Key system available
on request

Options:

Master key system

Packing:

200 pcs per box



BRASS GLASS DOOR LOCK "SWAN" FOR 8-10 MM GLASS

MODEL „SWAN“

Finish:

- Gold plated # 14.09.000
- Chrome plated # 14.09.001

Material:

Brass

Consists of:

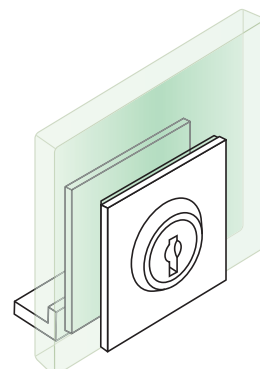
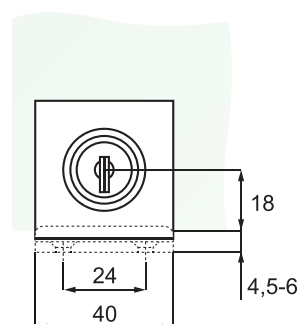
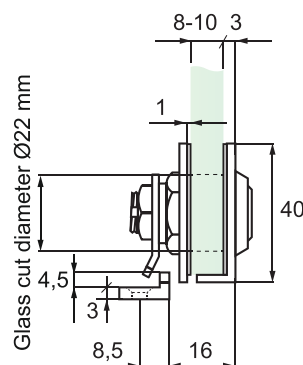
- 1 cylinder $\varnothing 20 \times 23$ mm
- 1 front plate w/bottom support 40 x 40 mm
- 1 back plate 40 x 40 mm
- 2 SISO metal keys, key alike
- 2 transparent cushions
- 1 hexagonal nut
- 1 off-set brass cam
- 1 raised brass striker

Function:

Turn key 180° to lock or unlock

Packing:

100 pcs per export carton



MODEL „STRIKER“

Finish:

Chrome plated # 14.09.246
Alu finish # 14.09.247
Gold plated # 14.09.248

Application:

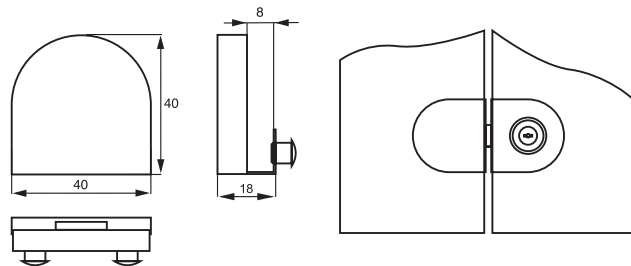
Single glass door, hinged
No boring required

Accessories for one set:

1 lock w/front plate
2 fastening screws
1 flat striking plate
1 plastic distance plate

Packing:

24 pcs per box
240 pcs per export carton



14.09.261-1	хром	10,63 лв
14.09.267-1	ед.ключ,хр	10,63 лв
14.09.269-0	мастер кл.	13,02 лв

GLASS DOOR LOCK "VETRO"

Application:

Single glass door, hinged
No boring required
Max 8 mm glass thickness

Accessories for one set:

1 lock w/front plate:
2 fastening screws
1 flat striking plate
2 car keys double entry
1 plastic distance plate

Function:

Turn key 180° to lock
and reverse to unlock

Specification

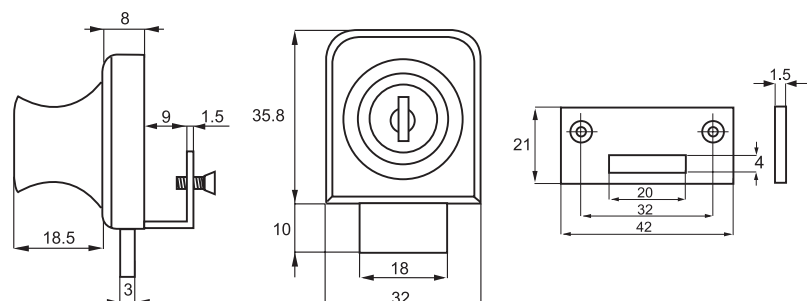
Zamak
400 key combinations
or key alike
Master key & Interchangeable
system available on request

Option:

Master key
and interchangeable system

Packing:

24 pcs per box
240 pcs per export carton



"VETRO-DOUBLE" FOR SINGLE & DOUBLE DOORS, HINGED

Application:

Double glass doors, hinged
No boring required
Max 8 mm glass thickness

Accessories for one set:

1 lock w/front plate
2 fastening screws
1 flat striking plate
2 car keys double entry
1 plastic distance plate

14.09.270-1	хром	11,09 лв
14.09.276-0	ед.ключ,хр	11,98 лв
14.09.275-0	черно	10,58 лв
14.09.278-0	мастер кл.	11,99 лв



Optionals:

Door stopper # 14.09.118
Spring stopper # 14.09.119

Function:

Turn key 180°
to lock and reverse to unlock

Specification:

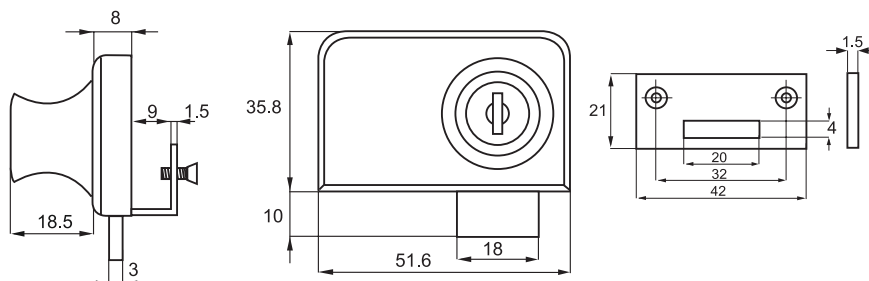
Zamak, 400 key combinations
or key alike
Master key & Interchangeable
system available on request

Option:

Master key
and interchangeable system

Packing:

24 pcs per box
240 pcs per export carton



GLASS DOOR LOCK "MINI" SLIDING DOORS

MODEL „MINI“

Finish:

Chrome plated

Application:

Glass sliding door

Accessories for one set:

1 lock
2 car keys
1 nut

Function:

to lock - push the cylinder
to unlock - turn key

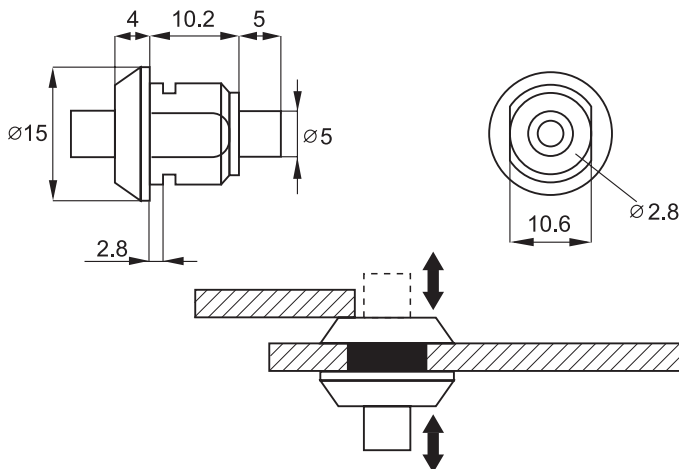
200 key combinations # 14.03.040
key alike # 14.03.041

Options:

15 000 key combinations

Packing:

100 pcs per box
5 box per export carton



14.09.013-0	едн.ключ	7,78 лв
14.09.030-0		7,78 лв

Application:

Glass sliding doors

Accessories for one set:

- 1 removable lock
- 1 ratchet 100 or 132 mm
- 1 screw w/protection pad
- 2 metal keys

Function:

Mount ratchet into lock flat end facing the fastening screw (see illustration).

Turn key 180° and remove key to activate the lock

Specification:

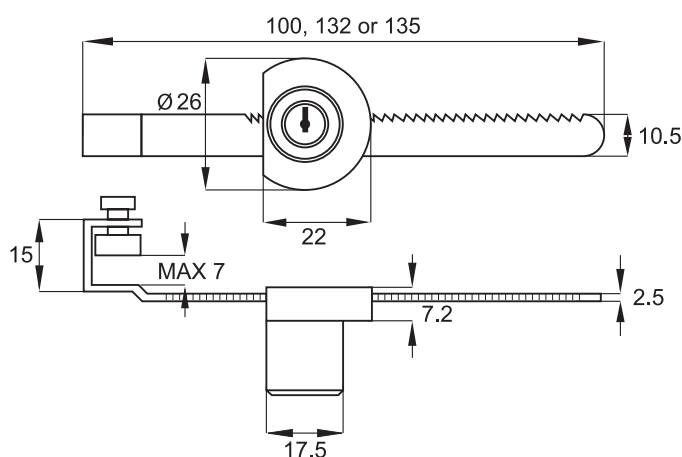
- Zamak lock
- Ratchet steel
- 25 key combinations

Option:

Master key or key alike

Packing:

- 240 pcs per export carton
- 12 pcs per box



GLASS DOOR LOCK #409 SLIDING DOORS

14.09.300-2		12,00 лв
14.09.315-1	едн.ключ	12,00 лв

Application:

Glass sliding doors

Accessories for one set:

- 1 plug-in zamak cylinder
- 1 zamak housing (2 parts)
- 3 transparent PVC washers
- 2 steel screws
- 2 brass keys

Function:

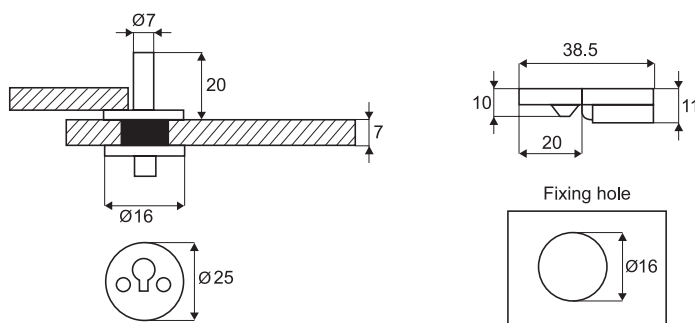
Place cylinder into lock case, turn and remove key, key removable in locked position only

Specification:

- Brass lock
- 25 key combinations # 14.09.300
- or key alike # 14.09.315

Packing:

- 500 pcs per export carton
- 25 pcs per box



Application:

For locking of glass doors by use of key or turn knob. Suitable for 8-12 mm glass

Specifications:

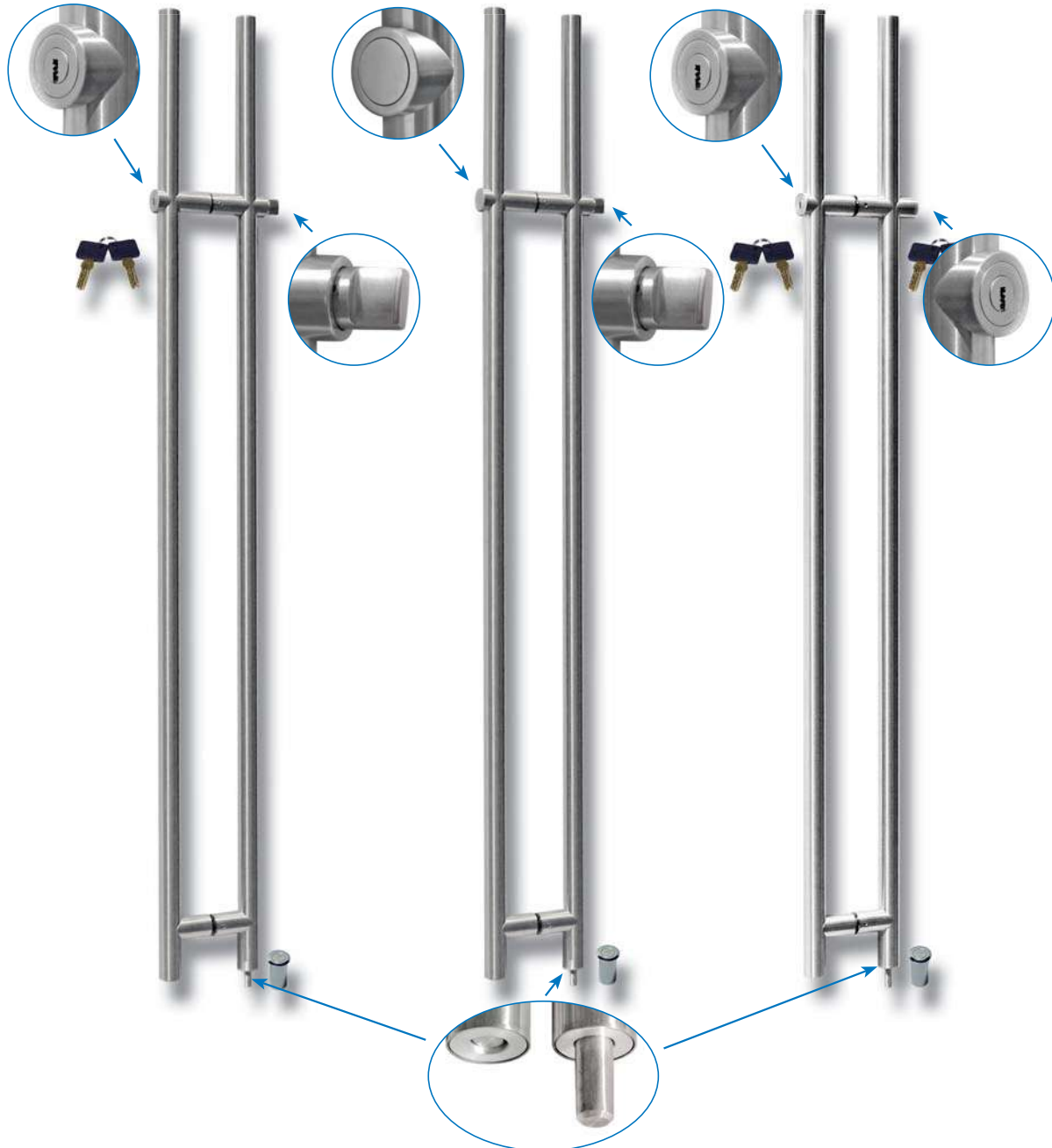
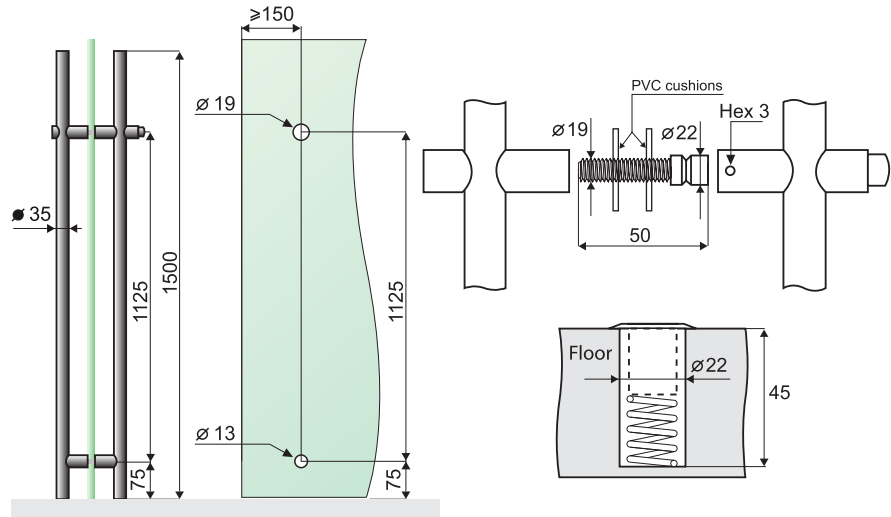
Bar handle \varnothing 35 x 1500 mm
Incl. floor socket w/spring dust cover
Cylinder 5 SISO metal keys or turn knob
5000 KD on cylinder version

Material:

Stainless steel SS-304 - brushed

Item No:

W/cylinder & knob # 14.60.600
W/knob on one side # 14.60.610
W/cylinder on 2 sides # 14.60.615



Application:

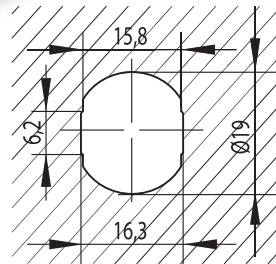
For metal or wooden doors, drawers, cabinets & boxes. W/Black rubber ring f/soft feeling.

Accessories for one set:

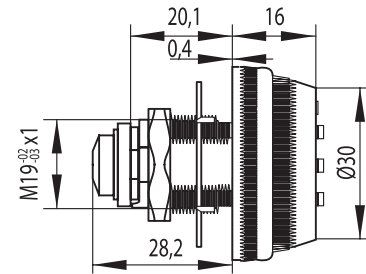
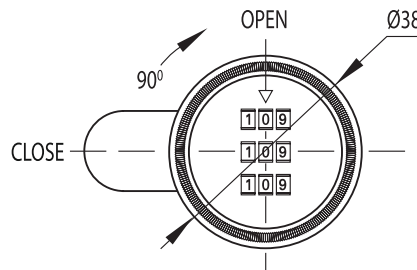
- 1 turn knob \varnothing 38 mm
- 1 cylinder \varnothing 19 x 20 mm
- 1 cam plate c.e.: 37 mm
- 1 hex nut

Specifications:

Turn knob & cylinder made of zamak.
 Cam and hex nut made of steel, NPL
 3 digits from 0 - 9
 90° turn. Right hand
 Pre-coded 000. Re-coding by pressing metal pin on side of housing into the housing in open position.



14.08.204-0	22,46 лв
-------------	----------



3-DIGIT COMBINATION LOCK "DOME"

Application:

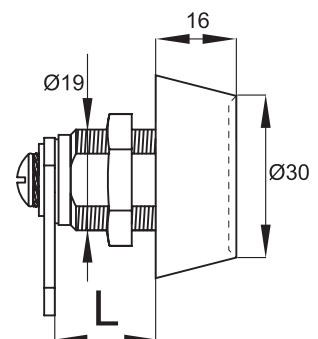
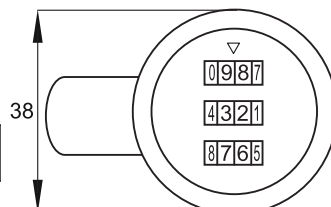
For metal or wooden doors, drawers, cabinets, boxes etc.

Function:

Rotation angle 90°

Specifications:

Zamak body, cylinder & hex nut
 Steel cam
 Pre-coded 000
 Re-coding by pushing split into hole in lock body in open position
 1000 combinations
 Available in 17,5, 22,5 & 29 mm cylinder lengths



14.08.202-0	29 мм	31,10 лв
-------------	-------	----------

Application:

For drawers & cabinets.

Accessories for one set:

- 1 turn knob \varnothing 44 mm
- 1 cylinder \varnothing 19 x 20 mm
- 1 cam plate c.e.: 40 mm
- 1 hex nut

Specifications:

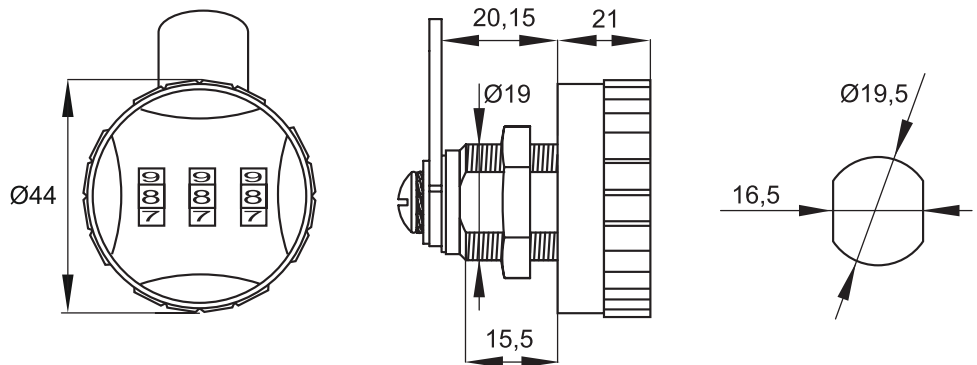
Turn knob made of black/grey plastic
 Cylinder made of zamak
 Cam and hex nut made of steel, NPL
 3 digits from 0 - 9
 90° turn. Right hand
 Pre-coded 000.
 Re-coding by pressing metal pin on side of housing into the housing in open position

Item No.:

Black/grey # 14.08.270

Packing:

- 20 pcs per box
- 200 pcs per export carton



COMBINATION CAM LOCK NO.M215

Application:

For drawers & cabinets

Accessories for one set:

- 1 turn knob \varnothing 56,6 mm
- 1 cylinder \varnothing 19 x 20 mm or \varnothing 19 x 30 mm
- 1 cam plate c.e.: 40 mm
- 1 hex nut

Specifications:

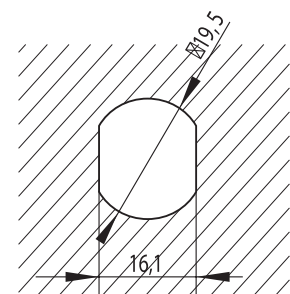
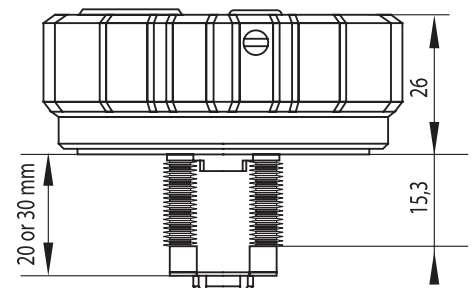
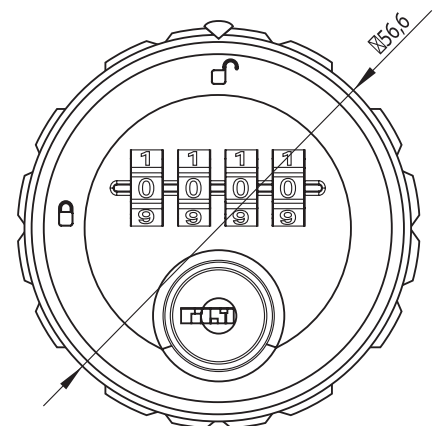
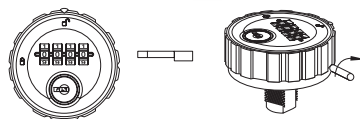
Turn knob made of black/grey plastic.
 Cylinder made of zamak
 Cam and hex nut made of steel, NPL
 4 digits from 0 - 9
 90° turn. Right hand
 Pre-coded 0000.
 Re-coding by pressing metal pin on side of housing into the housing in open position.
 W/master key system code A201
 Code finder by use of master key

Packing:

- 20 pcs per box
- 200 pcs per export carton

Item No.:

\varnothing 19 x 20 mm # 14.08.271
 \varnothing 19 x 30 mm # 14.08.272
 Master key # 14.08.251



SETTING YOUR PERSONAL COMBINATION

Your new resettable combination Cabinet Lock is preset at 0-0-0-0. (Even though may appear in other numbers)

To reset combination:

- Step 1
Leave the dials at preset combination (0-0-0-0).
- Step 2
Turn the lock clockwise 90° to the open position.
- Step 3
Use a flat head screwdriver, turn reset button 90° clockwise, then you can set the dials to your own combination.
- Step 4
Turn back the reset button to original position, then the lock is free to use.

Decode function:

Use the master key, turn it 90° clockwise.
 Rotate the dials, they will stop at the preset code.

14.08.272-0	46,80 ЛВ
14.08.251-0	9,95 ЛВ

Application:

For drawers & cabinets

Accessories for one set:

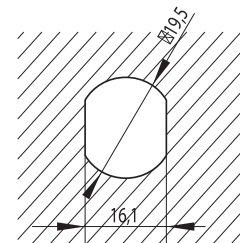
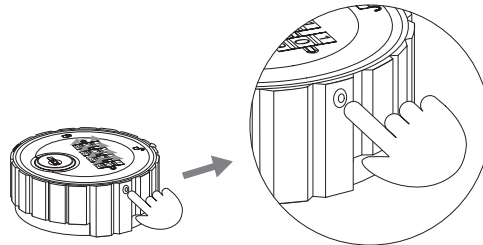
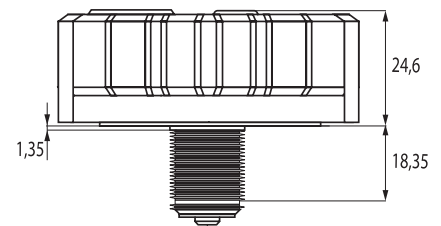
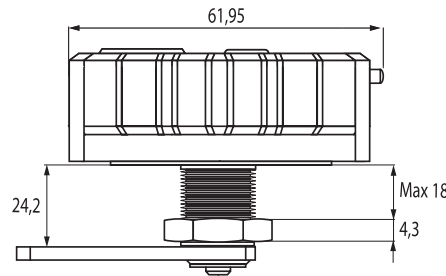
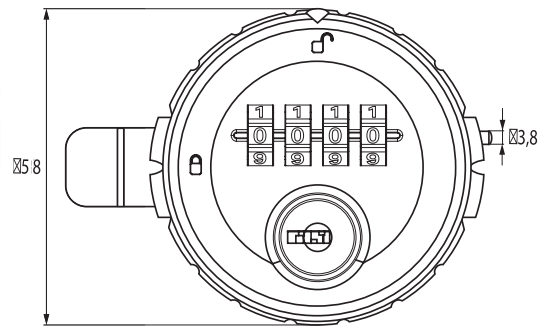
- 1 turn knob \varnothing 60 mm
- 1 cylinder \varnothing 19 x 24 mm
- 1 straight cam plate ce: 45 mm
- 1 hex nut
- 1 hole size reduction washer.
From \varnothing 22 to \varnothing 19 mm

Specifications:

Zamak turn knob & cylinder
Cam, hex nut & washer
made of steel, NPL.
4 digits from 0 - 9.
90° turn. Right hand.
Pre-coded 0000.
Re-coding by pressing metal pin
on side of housing into the housing
in open position.
W/master key system code A201
& code finder.
Code finder by use of master key

Item No.:

- Silver color # 14.08.290
- Black color # 14.08.291
- Master key A201 # 14.08.251



COMBINATION CAM LOCK M237 – “PUBLIC/PRIVATE” W/MASTER KEY & CODE FINDER

Application:

For metal drawers & cabinets

Accessories for one set:

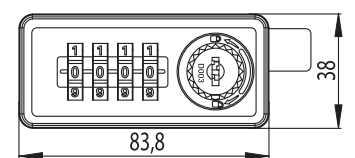
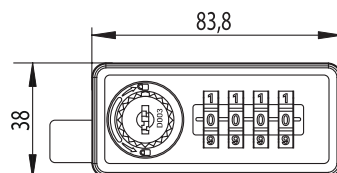
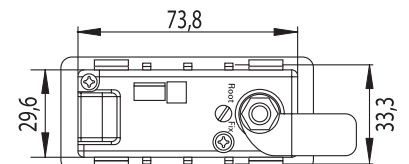
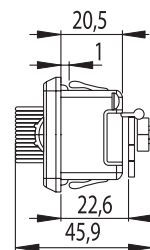
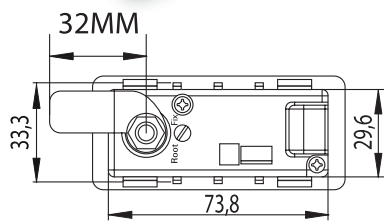
- 1 Lock body 73,8 x 33,3 x 22,6 mm
(L/W/D)
- 1 angled cam plate c.e.: 32 mm
- 1 lock washer
- 1 hex nut

Specifications:

ABS lock housing
Cylinder inner core made of zamak
Cam and hex nut made of steel, NPL
4 digits from 0 - 9
180° turn.
Right or Left hand version
Public or private setting by use
of switch button
W/master key system code D001
& code finder
F/1 mm metal sheet

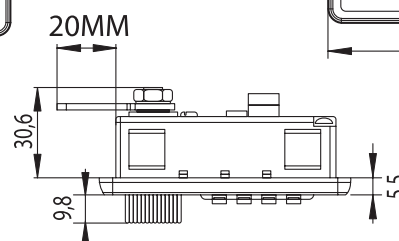
Item No.:

- Right Hand: # 14.08.600
- Left Hand: # 14.08.601
- Master Key D001 # 14.08.252



Right hand

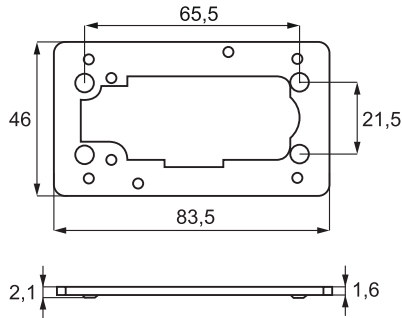
Left hand



Panel thickness: 10 - 20 mm
Size: 46 x 84 x 2 mm
Material: steel, nickel plated

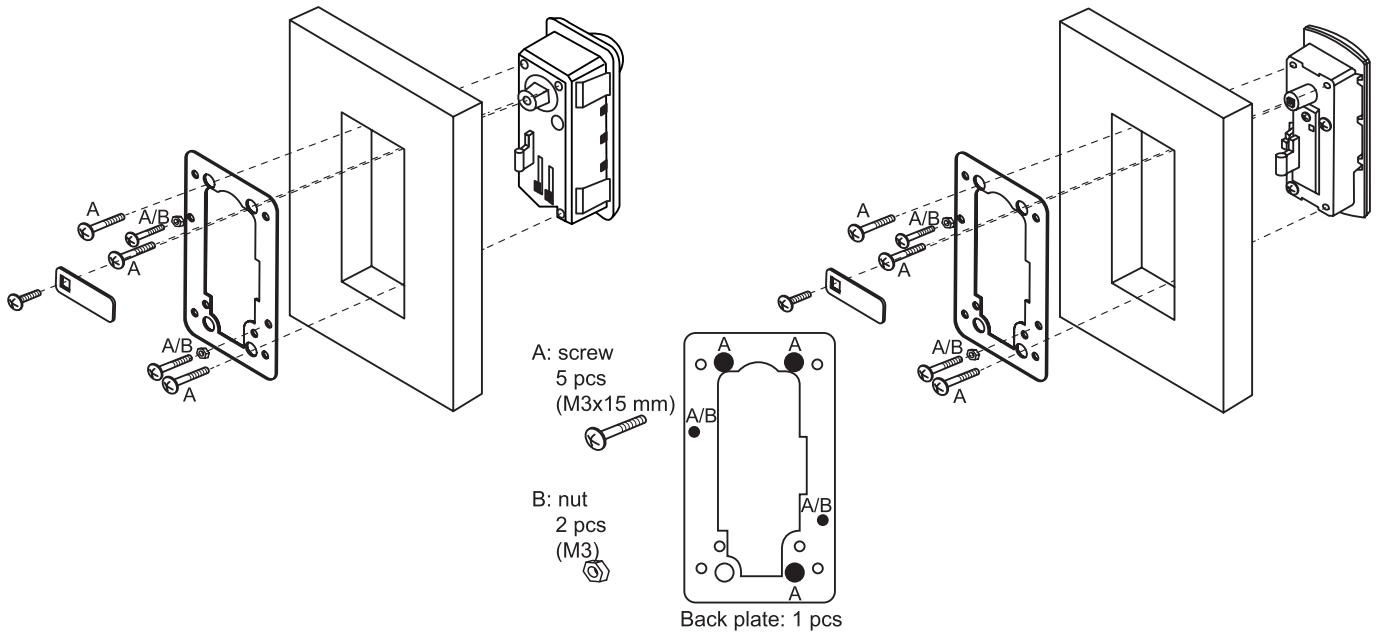
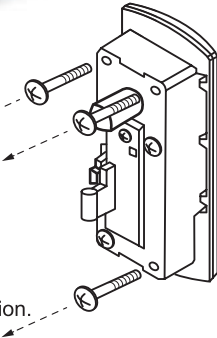
Item No.: # 14.08.603

Incl. fixing screws



1. Remove the original screws (3 pcs, screw position shown as below).

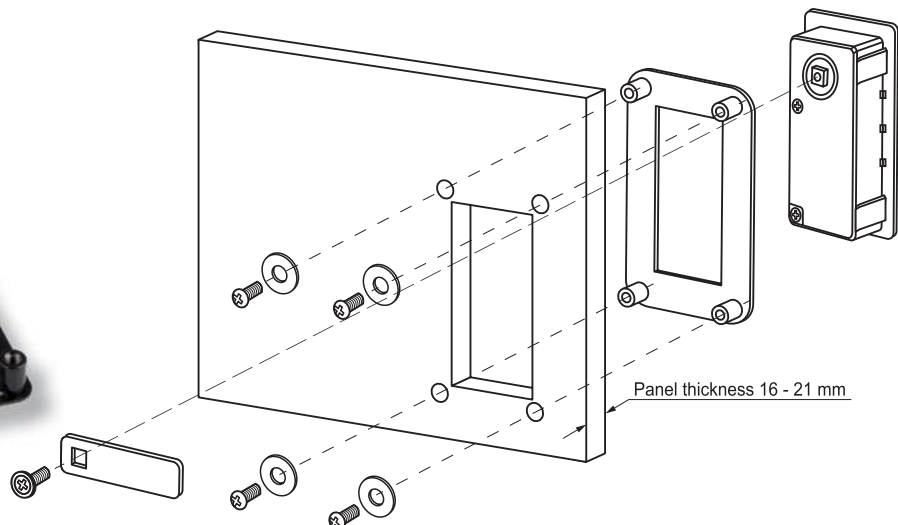
2. Replace with 5 new screws in A position and 2 nuts in B position.



Front mounted metal plate f/wooden panels

Application for wooden panels by optional metal front plate.

Item No.
 Metal black # 14.08.610
 White on request





Application:

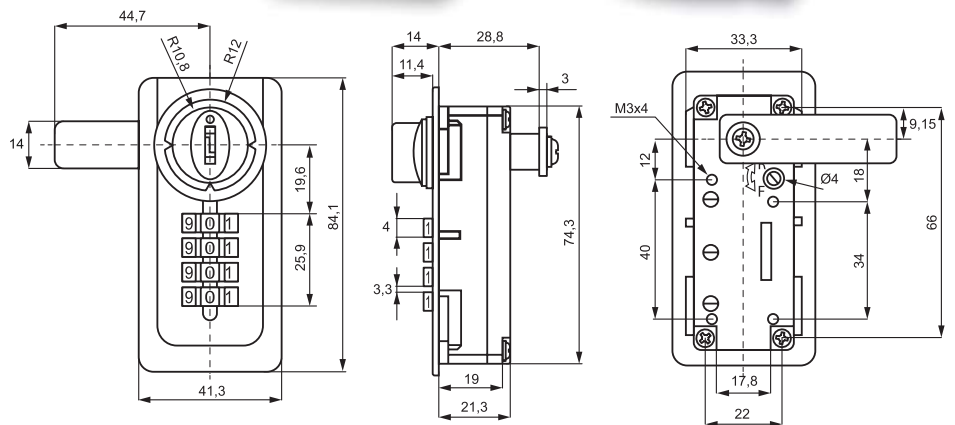
For drawers & cabinets

Accessories for one set:

- 1 lock body 74,3 x 33,3 x 21,3 mm (L/W/D)
- 1 straight cam plate ce: 44,7 mm
- 2 metal fixing clips

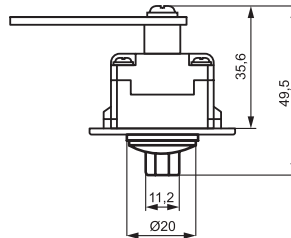
Specifications:

Zamak lock housing - black
Cam & fixing clips made of steel, NPL
90° turn.
Vertical installation.
Right hand.
4 steel digits from 0 - 9.
Pre-coded 0000.
Public or private setting by use of switch button.
W/master key system code D005 & code finder.
Code finder by use of master key.
F/1 mm metal sheet.



Item No.:

- Right hand: # 14.08.262
- Master key D005 # 14.08.255

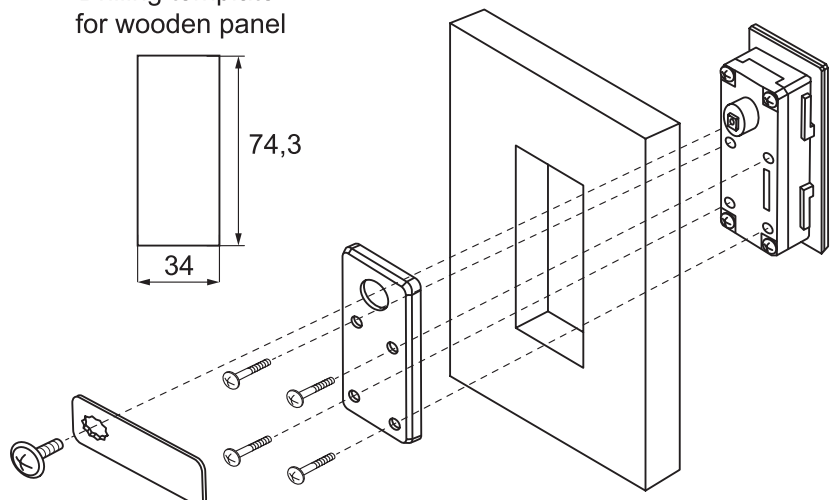


BACK PLATE F/LOCK M268 F/WOODEN PANELS



- Panel thickness:** 17 - 20,5 mm
- Size:** 78,5 x 38 x 7 mm (L/W/D)
- Material:** Black plastic
- Item No.:** # 14.08.262-9

Drilling template for wooden panel



Application:

For metal drawers & cabinets

Accessories for one set:

- 1 lock body 73,6 x 29,5 x 28,8 mm (L/W/D)
- 1 straight cam plate ce: 44,7 mm
- 1 metal fixing clip

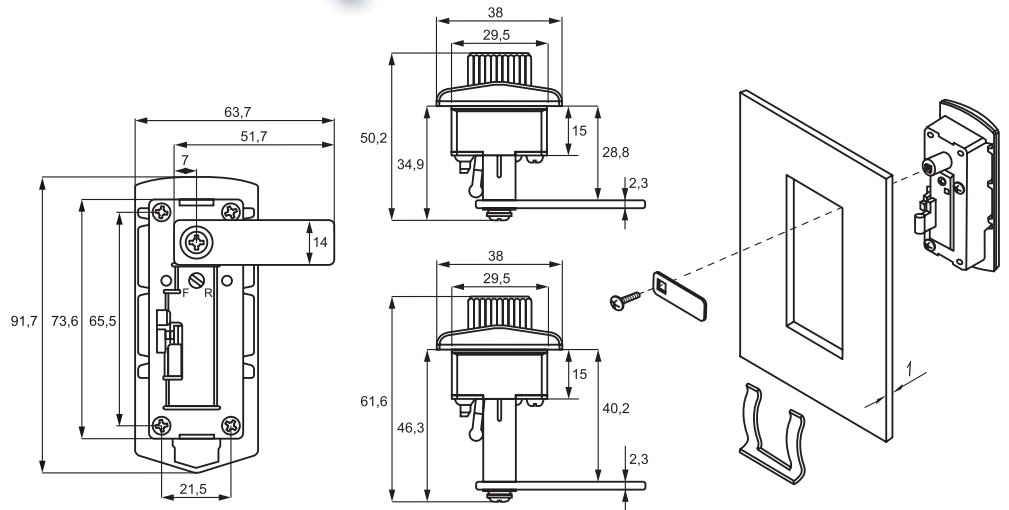
Specifications:

- Zamak lock housing – nickel plated
- Vertical installation
- 4 black plastic digits from 0 – 9
- 180° turn
- Right hand version (left on request)
- Public or private setting by use of switch button
- W/master key system code D0001 & code finder.
- F/1 mm metal sheet

Item No.:

Right hand: # 14.08.260

Master key D001 # 14.08.252



BACK PLATE F/LOCK M238 F/WOODEN PANELS

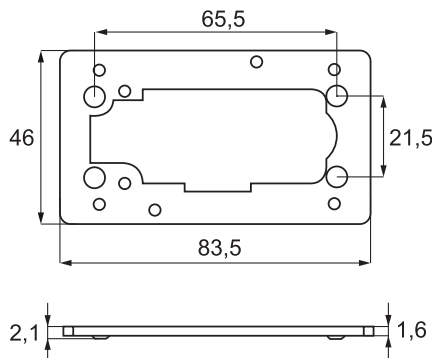
Panel thickness: 16 - 35 mm

Size: 46 x 84 x 2 mm

Material: steel, nickel plated

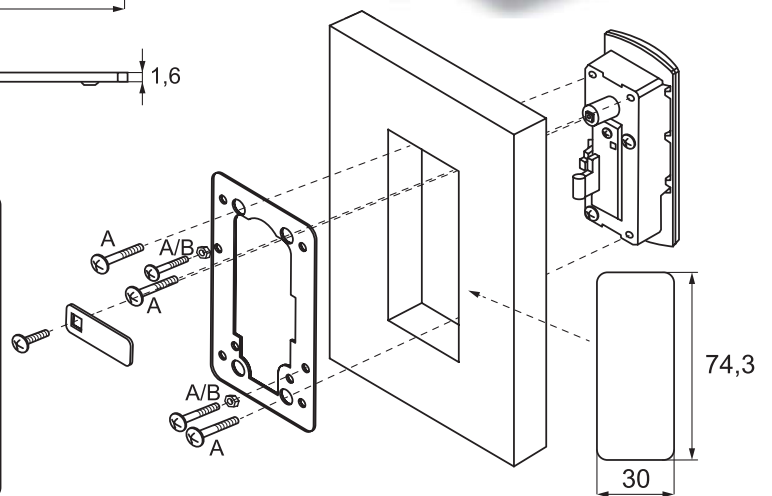
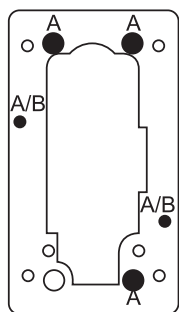
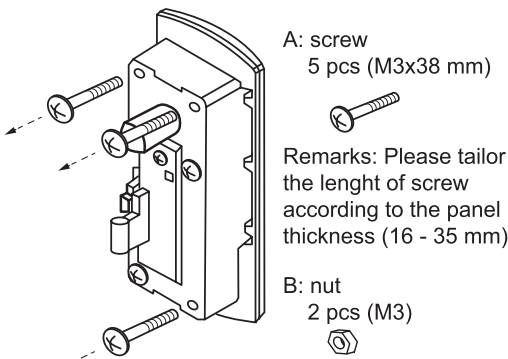
Item No. # 14.08.264

Incl. fixing screws & nuts



Panel thickness: 16 - 35 mm

1. Remove the original screws (3 pcs, screw position shown as below).
2. Replace with 5 new screws in A position and 2 nuts in B position.



Application:

For drawers and cabinets

Accessories for one set:

- 1 lock body
- 72,8 x 42,8 x 25,3 mm L/W/D
- 1 cam plate c.e: 32 mm (steel)
- 1 spring mounting clip (steel)

Specifications:

- ABS lock housing
- Cylinder inner core made of zamak
- 4 digits fom 0-9
- 90° turn - right or lef hand
- master key and code finder



14.08.259-1	дясна	35,32 лв
14.08.259-8	лява	35,32 лв

Application for metal or wooden panel by optional back plates.

14.08.248-0	за дърво	4,32 лв
14.08.247-0	за метал	3,62 лв

Master key C201 # 14.08.250

14.08.250-0	11,66 лв
-------------	----------



For metal.
Item No.: # 14.08.247



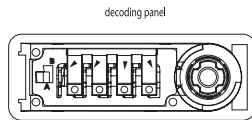
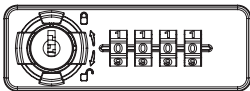
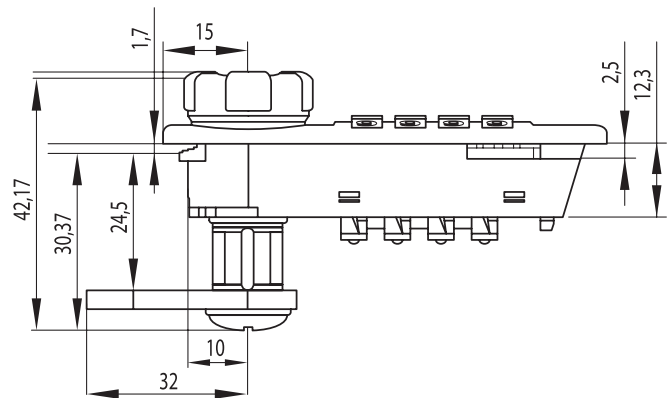
For wood.
Item No.: # 14.08.248

SETTING YOUR PERSONAL COMBINATION

Your new resettable combination Cabinet Lock is preset at 0-0-0-0. (Even though dials may appear in other numbers).

To reset combination:

- Step 1**
Leave the dials at preset combination 0-0-0-0.
- Step 2**
Turn the button clockwise 90° / 180° to the open position.
- Step 3**
Push the lever on the back of lock from A to B position. Set the dials to your own desired combination.
- Step 4**
Push the lever back to A position, your lock is now ready to open at your own personal combination.



How to decode the forgot combination?

Press down the Decoding Panel, keep holding it and rotate the dial till the Decoding Panel sinks or there is a "click" sound (Fig. A). Repeat the same process for all dials, you will get the opening numbers.

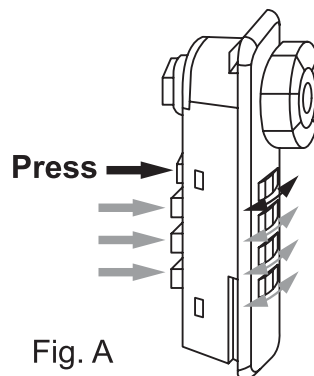
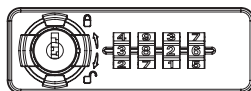
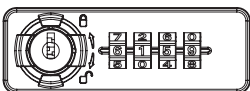
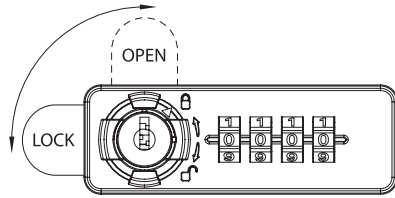


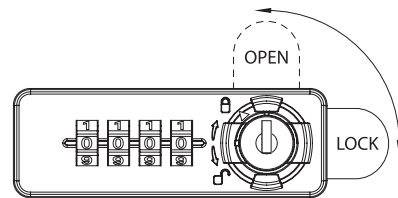
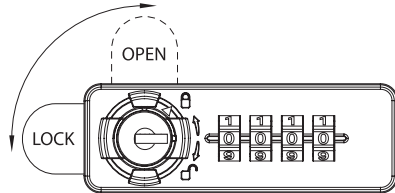
Fig. A

**Item No.: # 14.08.259-0 Combi. Cam Lock M224,
4-Digit, RH, 90°, Master Key+Code**

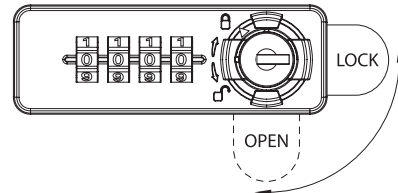
**Item No.: # 14.08.259-9 Combi. Cam Lock M224,
4-Digit, LH, 90°, Master Key+Code**



When Master Key is used



When Master Key is used

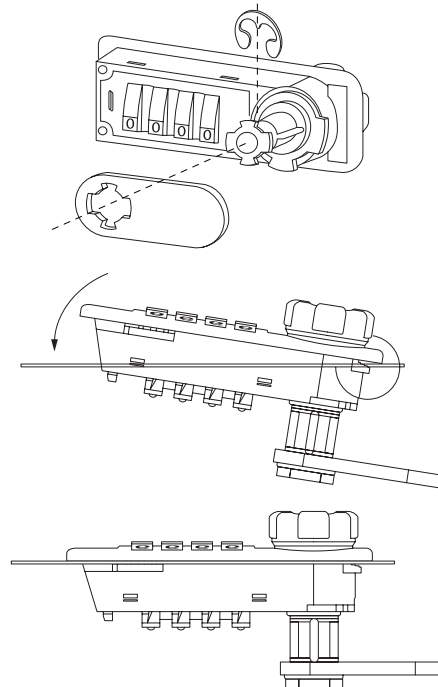
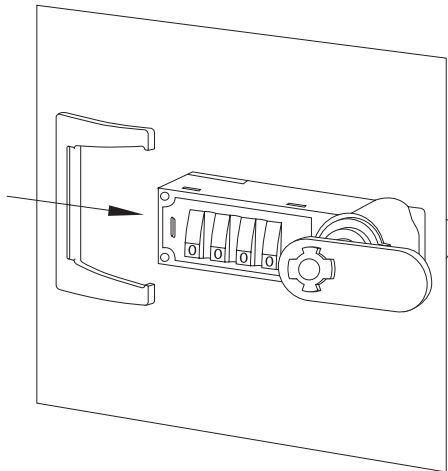


**Item No.: # 14.08.247-0 Back Plate, Black Plastic,
F/Lock # 14.08.259, F/Metal W/3 Screws**

For steel thickness: 0,8 - 1 mm

Cutting hole: 66 x 20,5 mm

Cylinder centre to edge of body: 12 mm

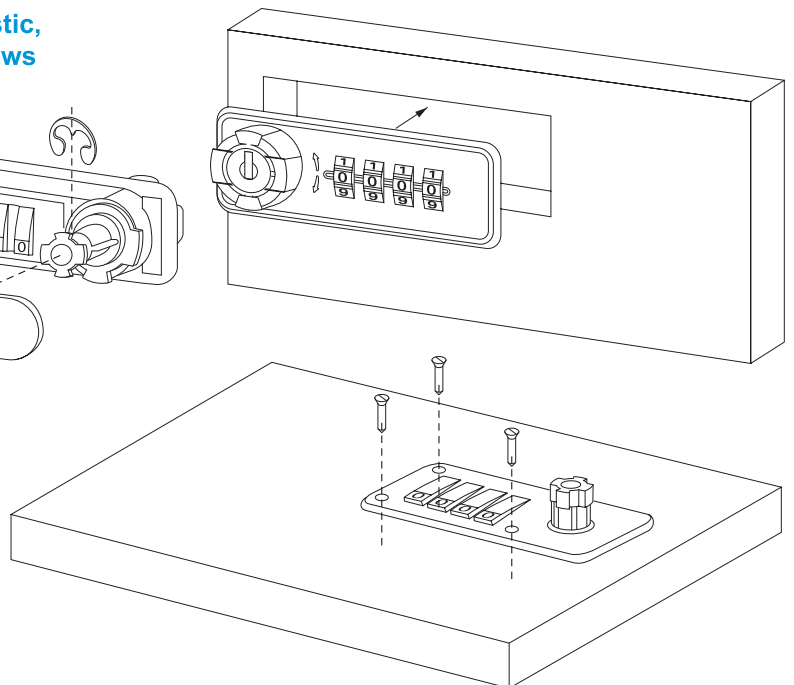
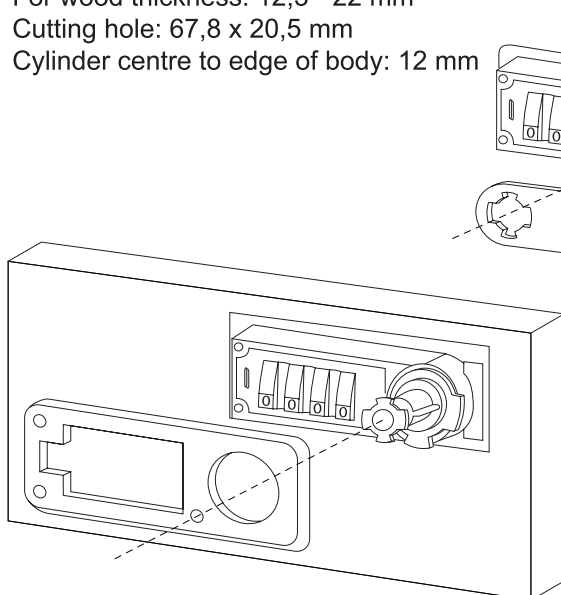


**Item No.: # 14.08.248-0 Back Plate, Black Plastic,
F/Lock # 14.08.259, F/Wood W/3 screws**

For wood thickness: 12,3 - 22 mm

Cutting hole: 67,8 x 20,5 mm

Cylinder centre to edge of body: 12 mm



Application:

For metal drawers & wooden cabinets

Accessories for one set:

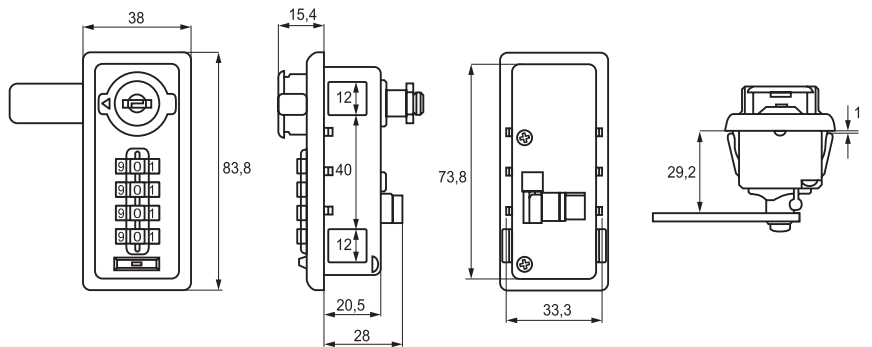
- 1 Lock body 73,8 x 33,3 x 20,5 mm (L/W/D)
- 1 straight cam plate c.e.: 44,7 mm
- 1 lock washer
- 1 hex nut

Specifications:

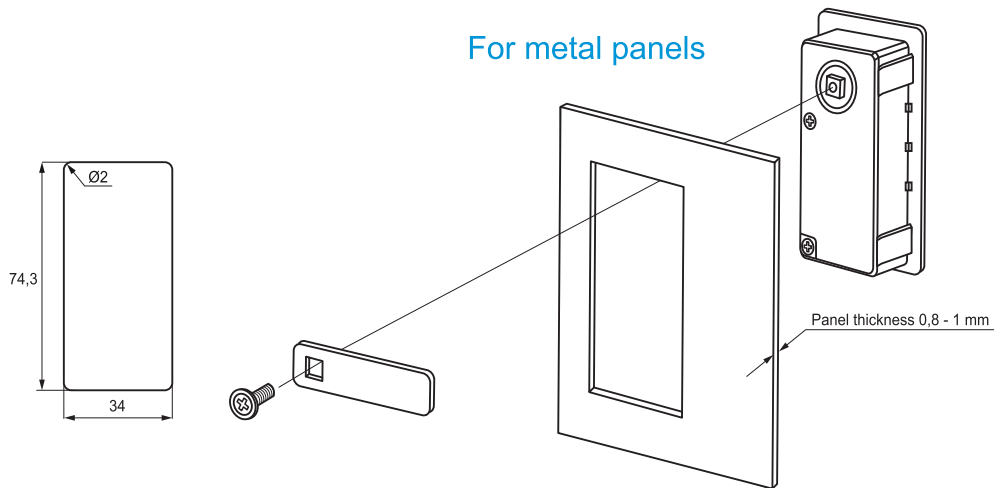
- ABS lock housing
- Cylinder inner core made of zamak
- Cam and hex nut made of steel, NPL
- 4 digits from 0 - 9
- 180° turn
- Right or left hand version
- W/scramble function
- W/master key system code D001 & code finder
- F/ 0,8 to 1 mm metal panel thickness
- or for 16 - 21 mm wood thickness by use of metal front plate

Item No.:

- Right Hand: # 14.08.605
- Left Hand: # 14.08.606
- Master key: # 14.08.252



For metal panels

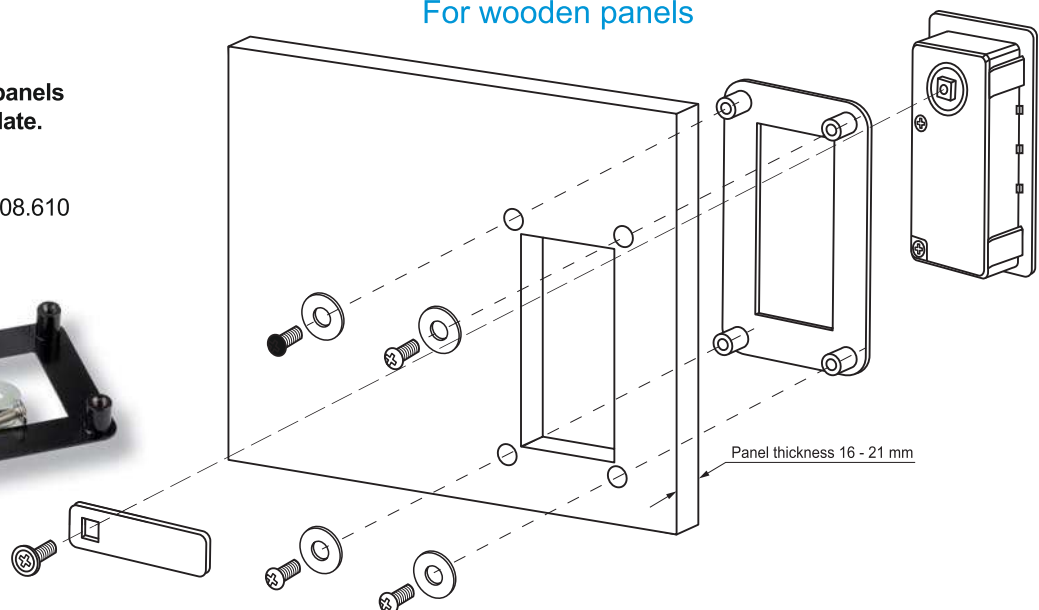


For wooden panels

Application for wooden panels by optional metal front plate.

Item No.

- Metal black # 14.08.610
- White on request



Application:

For cabinets with sliding doors

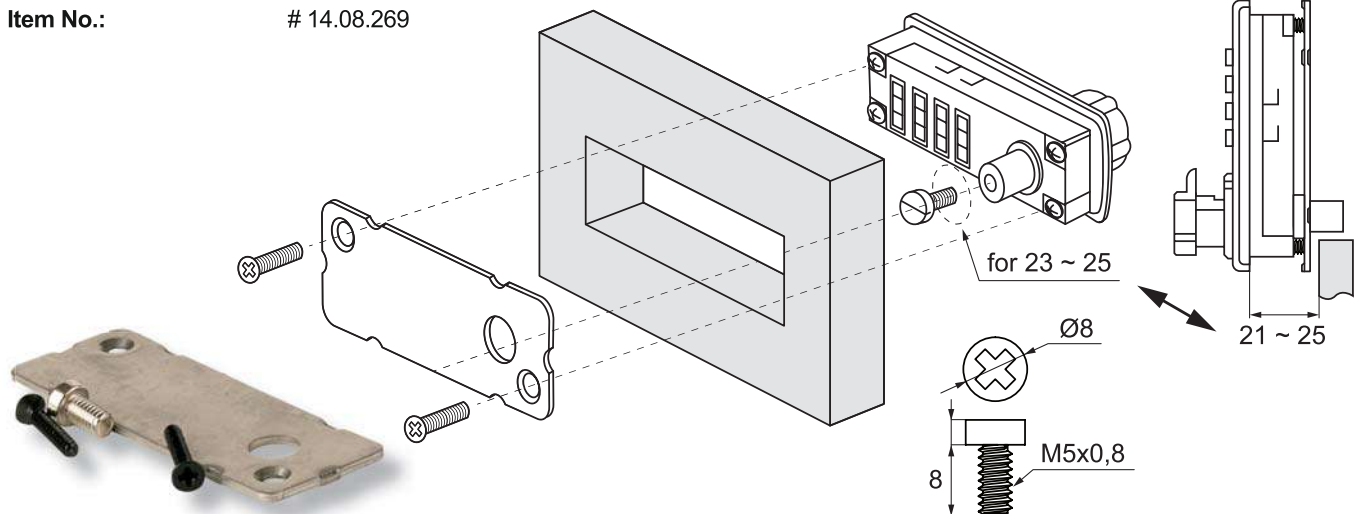
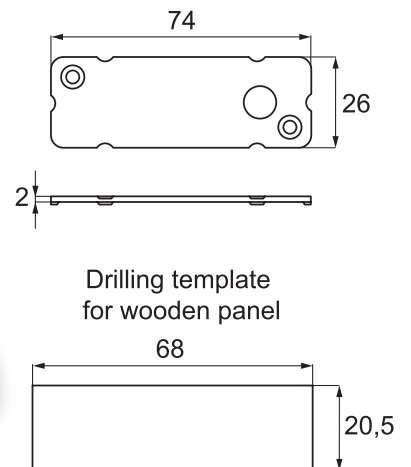
Accessories for one set:

- 1 lock body 75 x 25 x 18 mm (L/W/D)
- 1 metal back plate 74 x 26 x 2 mm (L/W/D)
- 2 fixing screws
- 1 prolongation screw M5 x 8 mm

Specifications:

- ABS lock housing - black
- Vertical installation
- 4 black plastic digits from 0 - 9
- Public or private setting by use of switch button
- W/master key system code D0001 & code finder
- F/16-20 mm wooden doors or for 0,6 - 1 mm metal panels by use of extra back plate

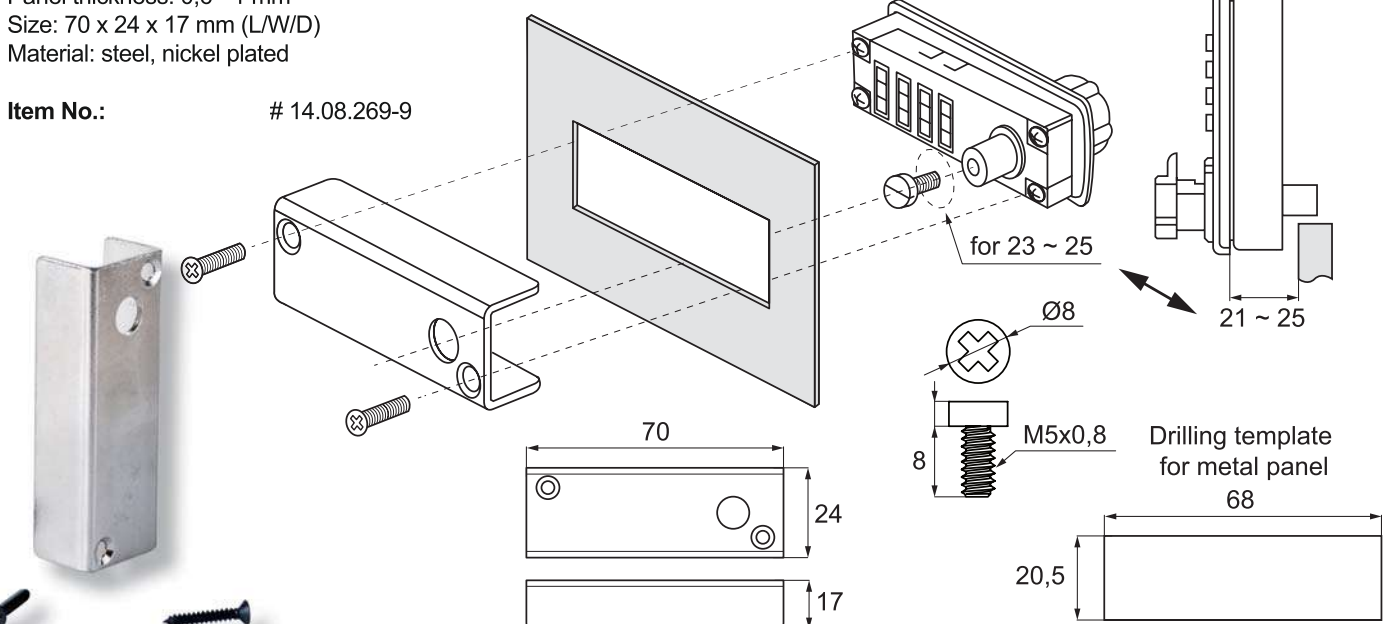
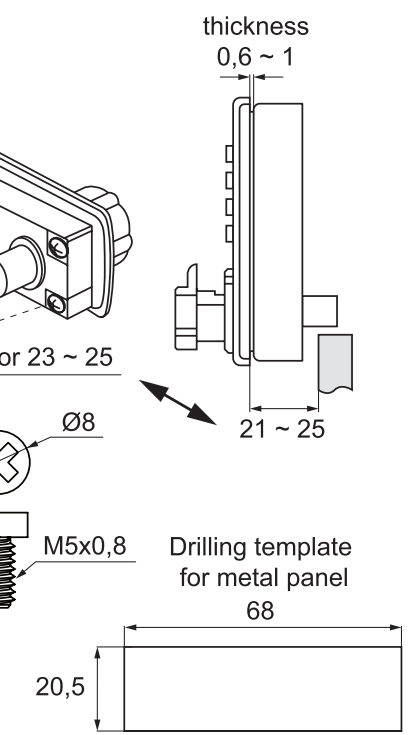
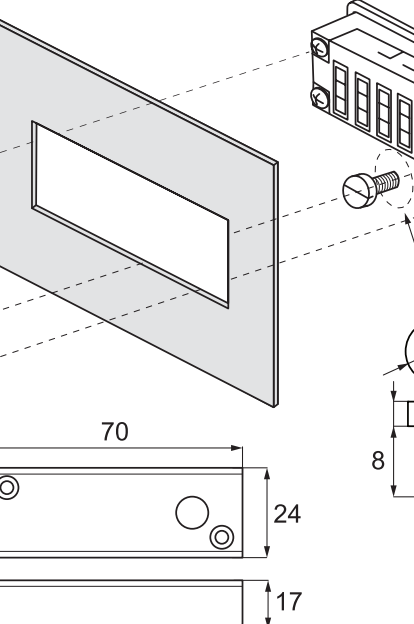
Item No.: # 14.08.269



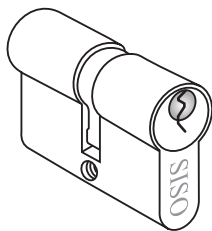
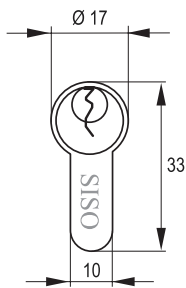
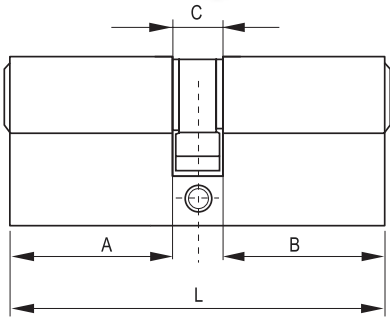
**Application for metal panels
with optional back plate**

Panel thickness: 0,6 - 1 mm
Size: 70 x 24 x 17 mm (L/W/D)
Material: steel, nickel plated

Item No.: # 14.08.269-9



Euro Profile Cylinders Yale or FAB keyway 1 mounting screw 65 mm and 3 brass keys - 5 pins



Item No.:	L	A	B	C	FINISH
#14.60.037-9	41	26	10	5	SS-Look - Yale Key
#14.60.037	62	26	26	10	SS-look - Yale keyway
#14.60.038	62	26	26	10	Brass satin - Yale keyway
#14.60.071	64,5	30,2	25	9,3	Brass polished - FAB keyway
#14.60.074	64,5	30,2	25	9,3	SS-look - FAB keyway
#14.60.117	70	25	35	10	Brass polished - FAB keyway
#14.60.118	70	25	35	10	Nickel Plated - FAB keyway
#14.60.115	70	30	30	10	Brass polished - FAB keyway
#14.60.116	70	30	30	10	SS-look - FAB keyway
#14.60.131	75	30	35	10	Brass polished - FAB keyway
#14.60.132	75	30	35	10	SS-look - FAB keyway
#14.60.113	80	25	45	10	SS-look - FAB keyway
#14.60.046	80	25	45	10	Brass satin - Yale keyway
#14.60.114	80	25	45	10	Brass polished - FAB keyway
#14.60.119	80	30	40	10	Brass polished - FAB keyway
#14.60.120	80	30	40	10	SS-look - FAB keyway
#14.60.121	80	35	35	10	Brass polished - FAB keyway
#14.60.122-0	80	35	35	10	SS-look - FAB keyway
#14.60.133	85	30	45	10	Brass polished - FAB keyway
#14.60.122-5	85	35	40	10	Brass polished - FAB keyway
#14.60.125	90	30	50	10	Brass polished - FAB keyway
#14.60.126	90	30	50	10	SS-look - FAB keyway
#14.60.123	90	35	45	10	Brass polished - FAB keyway
#14.60.124	90	35	45	10	Nickel Plated - FAB keyway
#14.60.135	90	40	40	10	Brass polished - FAB keyway
#14.60.136	90	40	40	10	SS-look - FAB keyway
#14.60.127	95	35	50	10	Brass polished - FAB keyway
#14.60.128-0	95	35	50	10	SS-look - FAB keyway
#14.60.128-5	100	35	50	10	Brass polished - FAB keyway
#14.60.129	100	45	45	10	Brass polished - FAB keyway
#14.60.137	105	45	50	10	Brass polished - FAB keyway

Cylinders w/Master key system (Yale keyway)

Item No.:	L	A	B	C	FINISH	SYSTEM
#14.60.039	62	26	26	10	SS-look	#M1
#14.60.040	62	26	26	10	SS-look	#M2
#14.60.043	62	26	26	10	Alu Look	#M3
#14.60.044	62	26	26	10	Alu Look	#M4

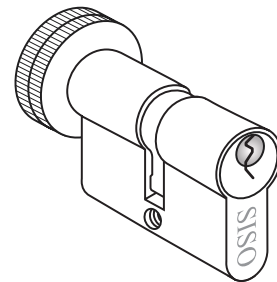
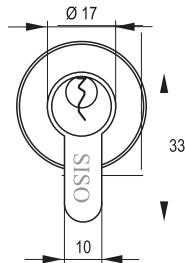
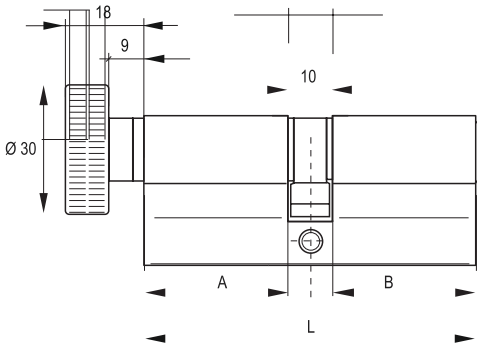
Master keys (Yale keyway)

Item No.:	SYSTEM
#14.60.041-0	#M1
#14.60.042-0	#M2
#14.60.041-5	#M3
#14.60.041-6	#M4



Cylinder w/Knob #4 - Yale keyway

Item No.:	L	A	B	Finish
14.60.027	60	25	25	Brass Satin

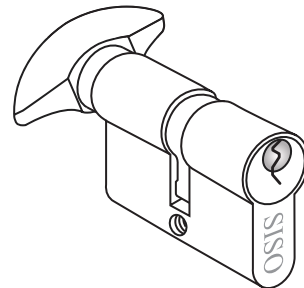
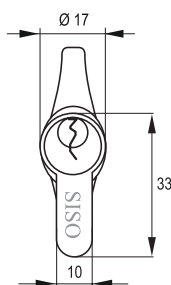
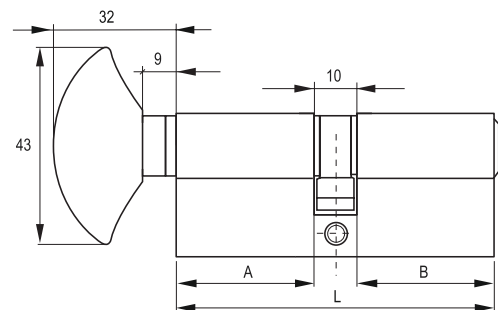


Cylinder w/Knob #2 - Yale keyway With Master Key system #M3 Incl. 3 brass keys with SISO logo

Item No.:	L	A	B	Finish	Master key system
14.60.028	60	25	25	Brass Polished	NO
14.60.032	62	26	26	SS-look	System #M3
14.60.045	62	26	26	Alu Look	System #M3

Master key:

Item No.:
System #M3 # 14.60.041-5

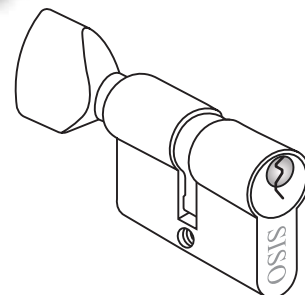
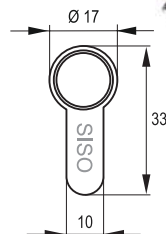
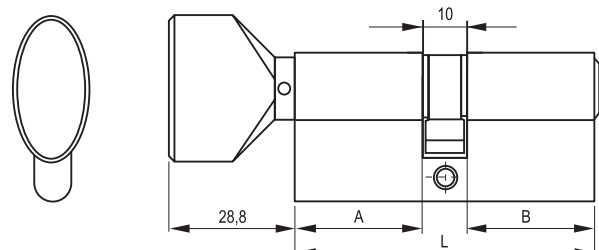


Cylinder w/Knob #3 - Yale keyway With Master Key system #M3 Incl. 3 brass keys with SISO logo

Item No.:	L	A	B	Finish	Master key system
14.60.033	62	26	26	SS-look	System #M3
14.60.047	62	26	26	Alu Look	System #M3

Master key:

Item No.:
System #M3 # 14.60.041-5



Application:

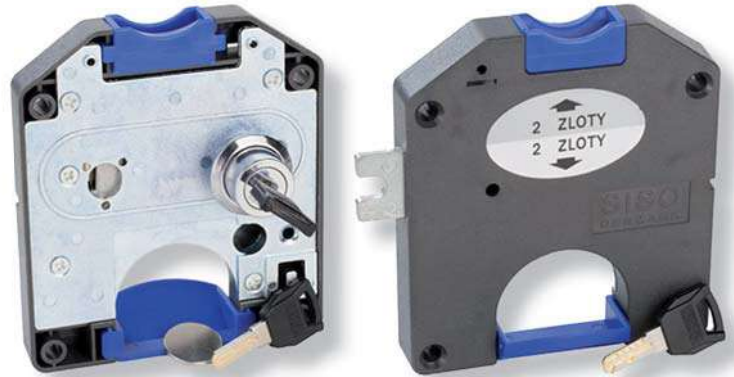
For lockers at sport facilities & super markets.

Accessories for one set:

- 1 lock w/cylinder Ø22 x 31 mm
- 1 steel rosette
- 1 coin tray in chrome plated ABS
- 2 SISO brass snake keys

Specifications:

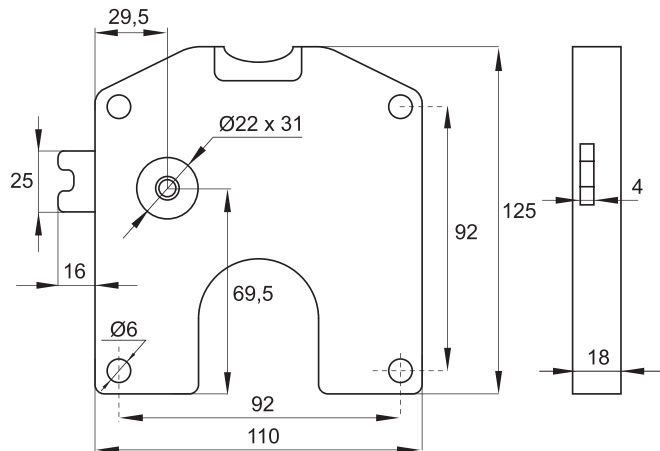
- Black & chrome plated ABS housing
- Nickel plated zamak cylinder.
- Innercore made of brass.
- 1000 key combinations
- W/master key & interchangeable system (MIC)
- Left (L) or right hand (R) versions



14.60.245-0	лява	49,68 лв
14.60.246-0	дясна	49,68 лв



Coin deposit lock and coin collector box built together



COIN COLLECTOR BOX

Application:

Suitable for SISO coin locks

Specifications:

- Black PA housing
- Zamak cam lock - nickel plated
- W/2 SISO steel snake keys
- W/master key & interchangeable system #5 (MIC)
- 1000 key combinations

Item No.:

- Box: # 14.60.210
- Master key: # 14.60.212
- Interchangeable key: # 14.60.213

